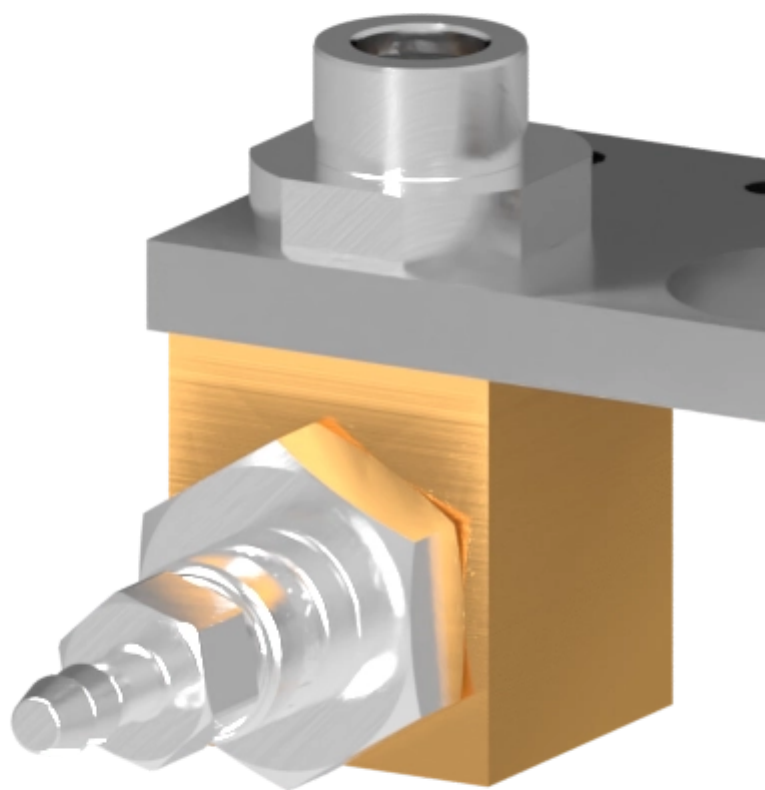


variables/V-color

# **Robot Tool Changers | Fluid module | S-EM- R-U-1VE-OIL-01**







## Feature

### S-EM-R-U-1VE-OIL-01

<b>Type</b>	Fluid module
<b>Weight</b>	0.340 kg
<b>Size</b>	61 x 76 x 78 mm
<b>Pass Through Utilities</b>	1 x MAKU
<b>Material</b>	Aluminum, Stainless steel, Brass

**Notice :** The provided technical data are the higher limits recommended in static condition. To obtain the correct dimensioning of the product, it is necessary to hold account of all the applicable dynamic forces, including the inertia of the manipulator, the configuration of the tools and the external forces applied.

## A specific module for oil

Along with the standard offer of pneumatic and electrical modules, PES proposes engineering capabilities for developing custom electrical/pneumatic modules or accessories for Sigma Series tool changers. We offer a wide range of off-the-shelf custom modules enhancing Sigma tool changers communication capabilities or safety and if needed, we will be pleased to adapt our product to your specific requirements. Standard Air/Water modules are listed below. Do not hesitate to contact us to share your specific requirements in order to find the right solution that meets your needs



Advantages



Benefits



**p e s**

product  
engineering  
services

---

**expertise in connectivity**