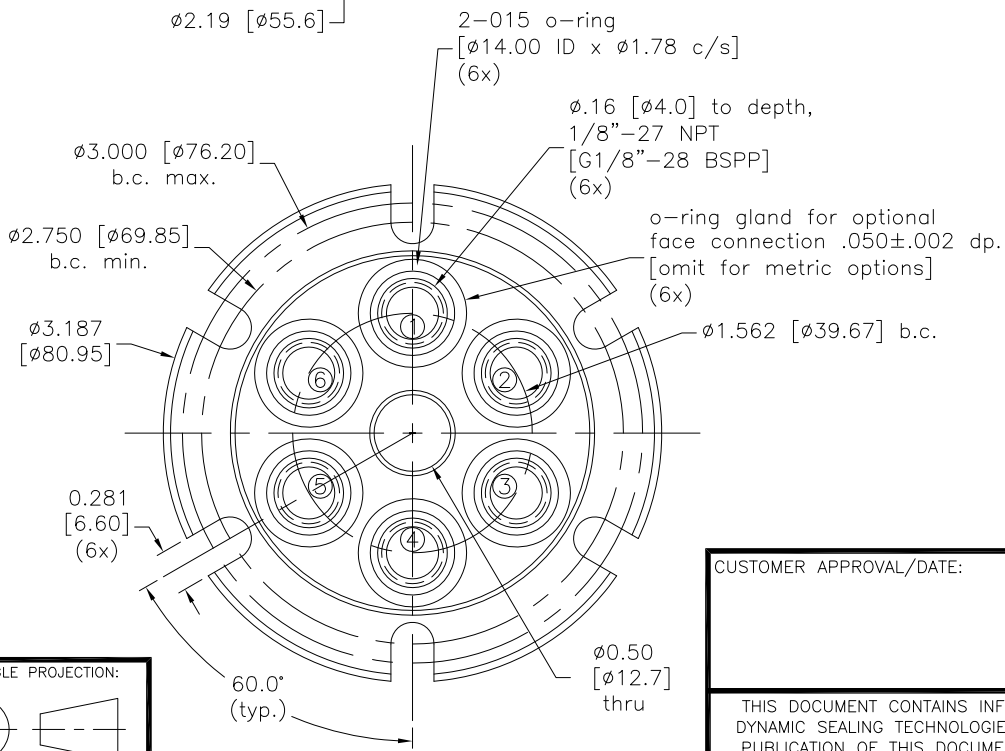
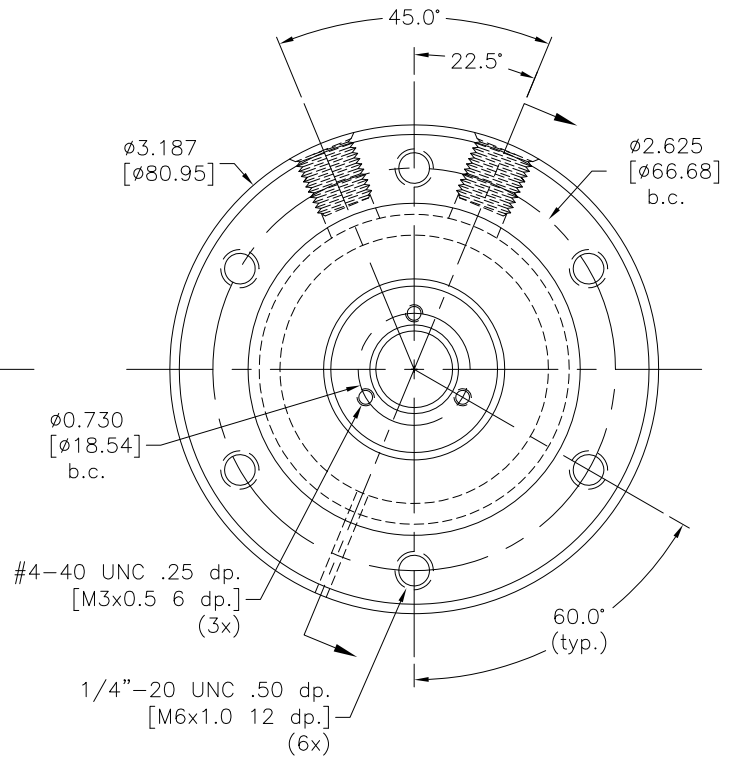
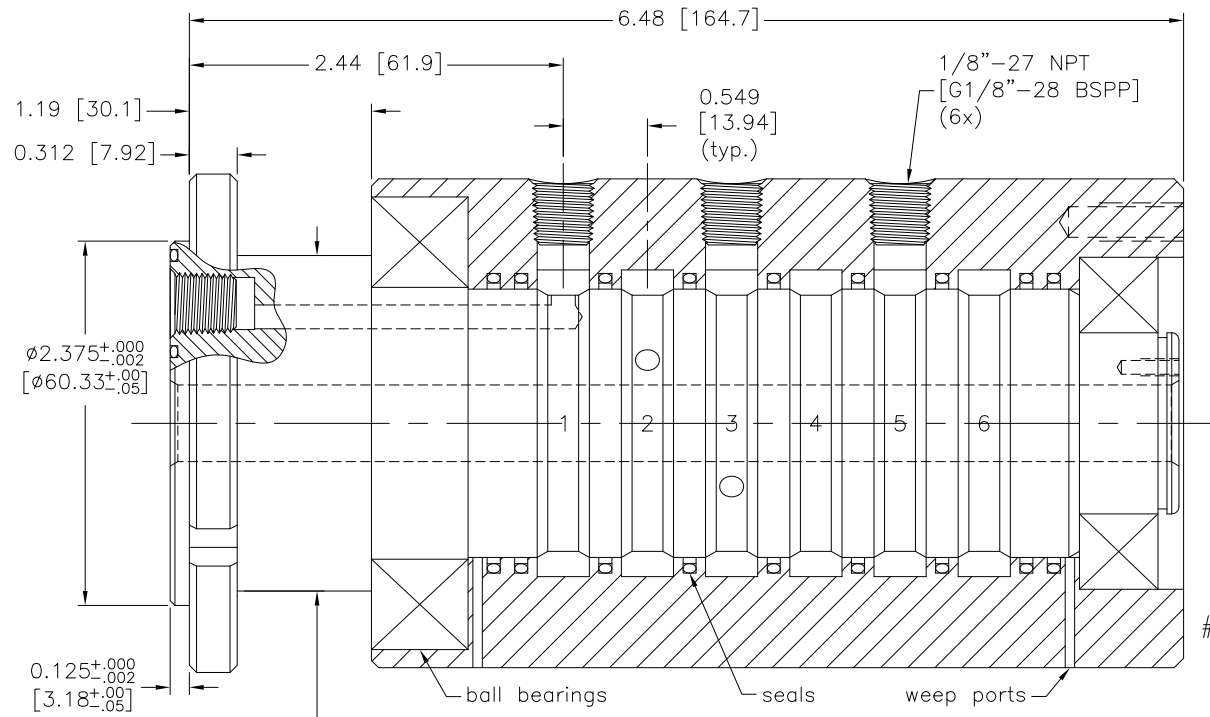


Rev:	Date	By	Chk	Description
A.1	7/18/12	PJE	JLA	ECO 0024



**Notes:**

1. Union will be rotated for seal break-in and static air tested.
2. Media must be filtered, clean and free of abrasive content or reduced union life will result.
3. Stainless steel union construction available by using GPS in place of GP in the series designation prefix.
4. Metric connections and threads available by using GPM in place of GP in the series designation prefix.
5. Stainless steel union construction and metric connections/threads available by using GPSM in place of GP in the series designation prefix.
6. See SHEET 2 for product options.

Drawn	JSM	1/20/02
Checked	PJE	9/26/07
Checked	PJE	4/18/08

TOLERANCE EXCEPT AS NOTED	
X.X	±.125
X.XX	±.015
X.XXX	±.005
ANGLES	± 0.5°



CUSTOMER APPROVAL/DATE:

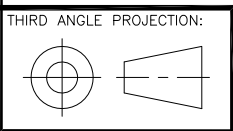
SHAFT MTL/PLTING:  
CARBON STL / 17-4 SSTL  
60-62 Rc / 40-47 Rc  
BLK OXIDE / TDC

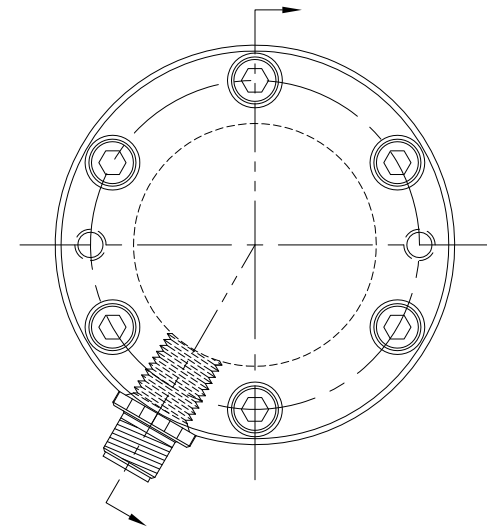
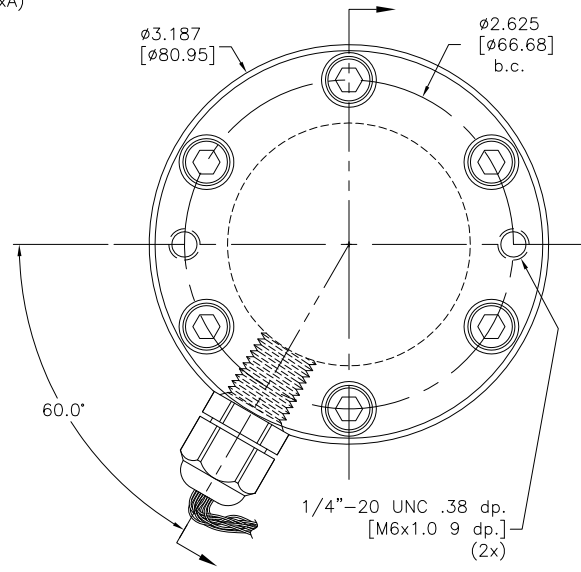
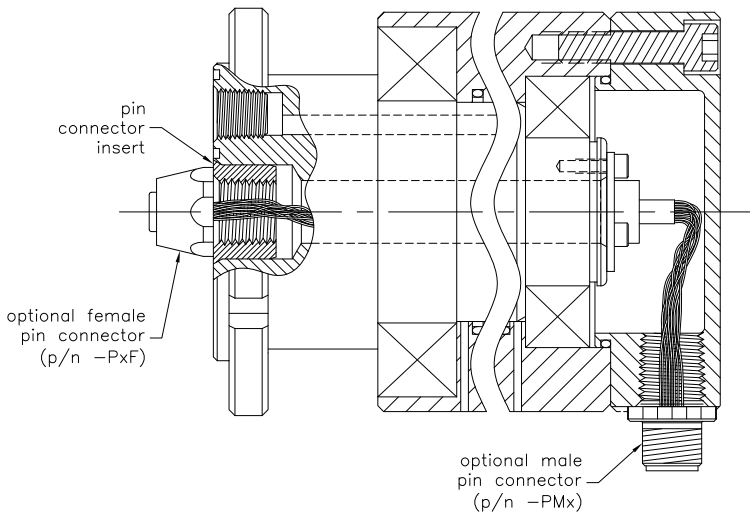
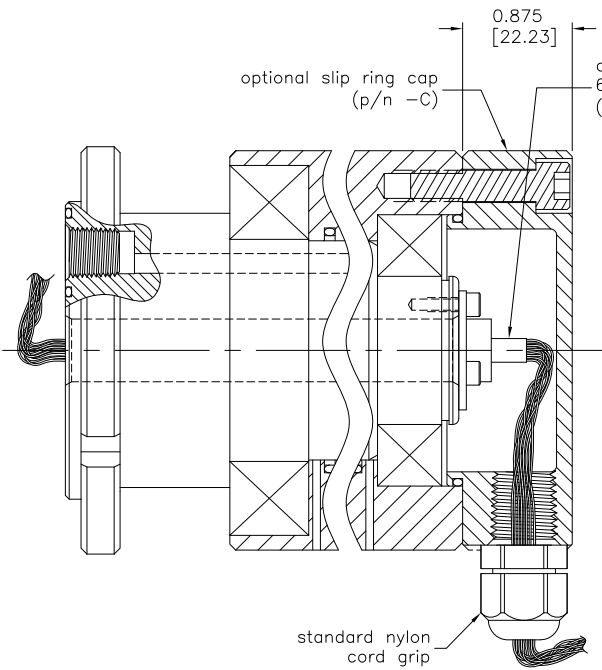
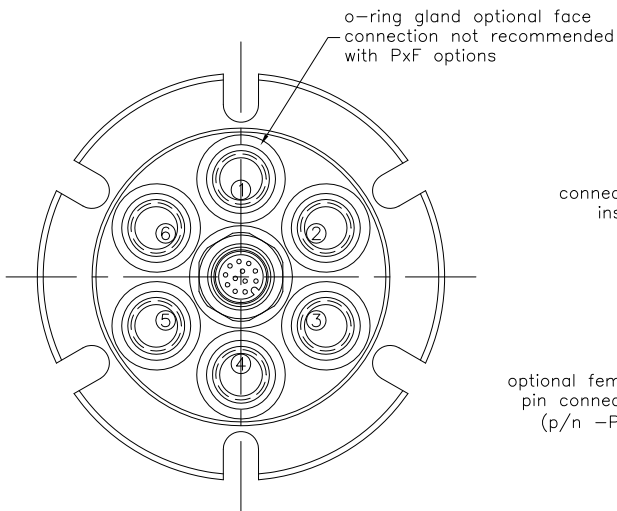
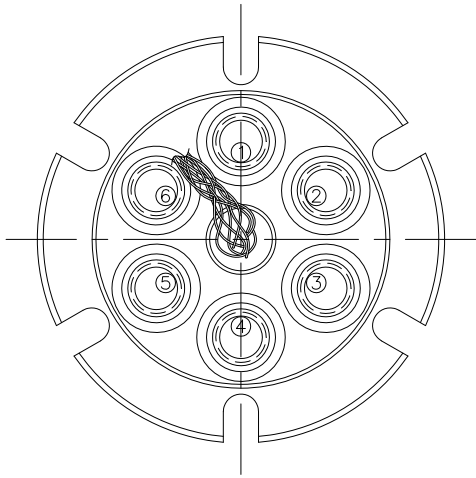
CUSTOMER: STOCK

HOUSING MTL/PLTING:  
CARBON STL / 303 SSTL  
BLK OXIDE /

P/N: GP(S)(M)-161  
REV: A.1

THIS DOCUMENT CONTAINS INFORMATION WHICH IS PROPRIETARY TO DYNAMIC SEALING TECHNOLOGIES, INC. (DSTI) NO REPRODUCTION OR PUBLICATION OF THIS DOCUMENT OR IT'S CONTENTS, IN WHOLE OR PART, SHALL BE MADE WITHOUT THE WRITTEN CONSENT FROM DSTI.





Notes:

1. Optional male AND female pin connector (p/n -PMF).
2. Contact DSTI for details about slip rings and pin connectors.

Drawn	PJE	2/7/08
Checked	PJE	4/18/08
Checked	PJE	7/18/12

TOLERANCE EXCEPT AS NOTED	
X.X	$\pm .125$
X.XX	$\pm .015$
X.XXX	$\pm .005$
ANGLES	$\pm 0.5^\circ$



CUSTOMER APPROVAL/DATE:

CAP MTL/PLTING:  
ALUM  
BLUE ANODIZE

CUSTOMER:  
STOCK OPTIONS

THIS DOCUMENT CONTAINS INFORMATION WHICH IS PROPRIETARY TO DYNAMIC SEALING TECHNOLOGIES, INC. (DSTI) NO REPRODUCTION OR PUBLICATION OF THIS DOCUMENT OR IT'S CONTENTS, IN WHOLE OR PART, SHALL BE MADE WITHOUT THE WRITTEN CONSENT FROM DSTI.

PIN CONNECTOR INSERT MTL/PLTING:  
ALUM  
BLUE ANODIZE

P/N: GP(S)(M)-161  
REV: A.1

