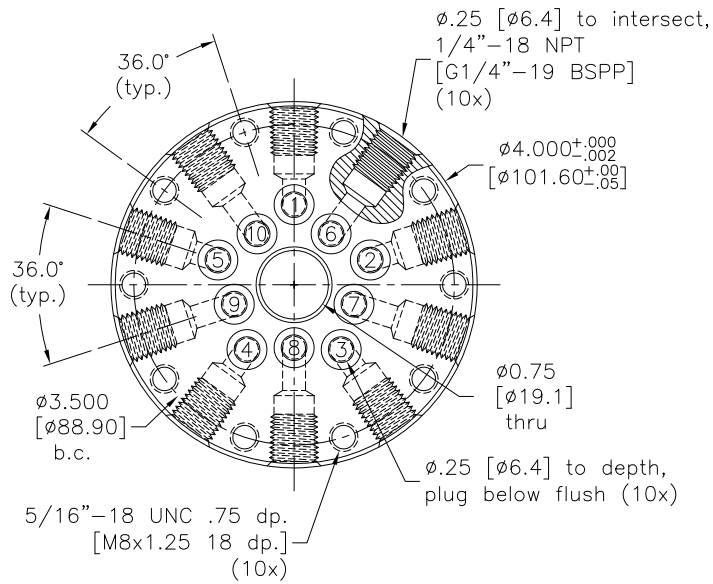
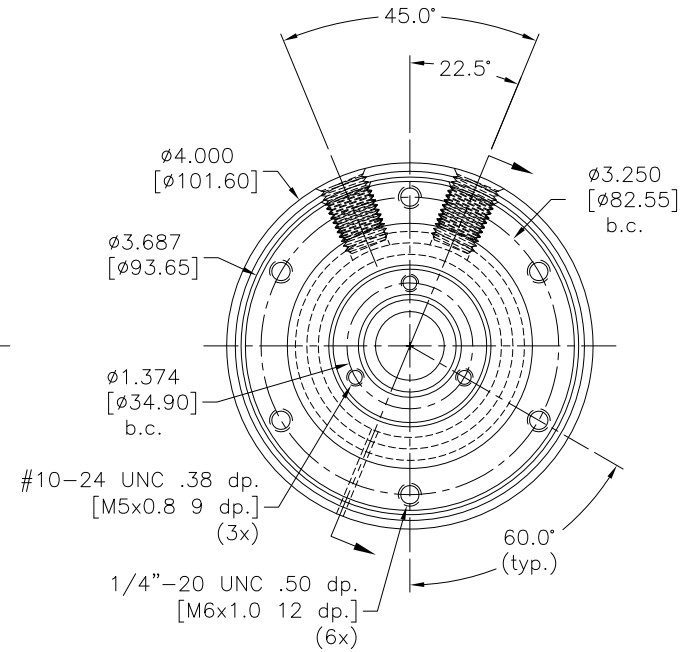
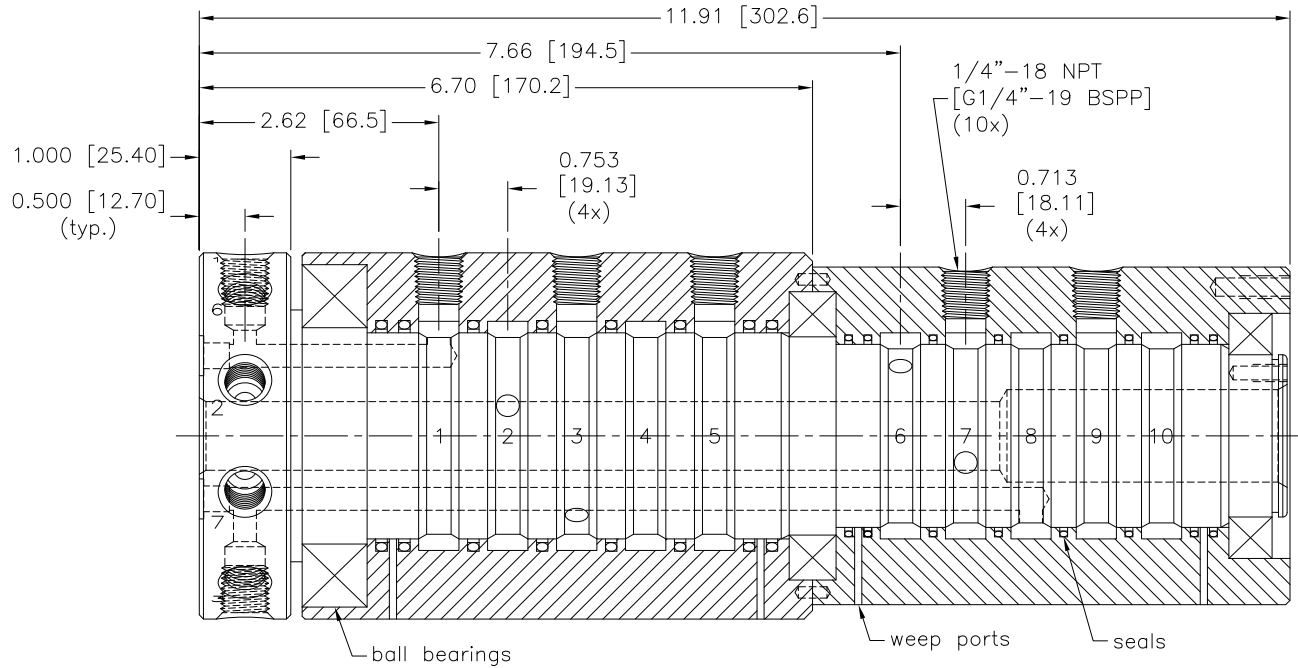


Rev:	Date	By	Chk	Description
A.1	4/17/13	PJE	AKH	ECO 0024



Notes:

1. Union will be rotated for seal break-in and static air tested.
2. Media must be filtered, clean and free of abrasive content or reduced union life will result.
3. Stainless steel union construction available by using GPS in place of GP in the series designation prefix.
4. Metric connections and threads available by using GPM in place of GP in the series designation prefix.
5. Stainless steel union construction and metric connections/threads available by using GPSM in place of GP in the series designation prefix.
6. See SHEETS 2 and 3 for product options.

Drawn	JSM	6/30/04
Checked	PJE	11/7/05
Checked	PJE	4/18/08

TOLERANCE EXCEPT AS NOTED	
X.X	±.125
X.XX	±.015
X.XXX	±.005
ANGLES	± 0.5°



CUSTOMER APPROVAL/DATE:

SHAFT MTL/PLTING:

CARBON STL / 17-4 SSTL  
 60-62 Rc / 40-47 Rc  
 BLK OXIDE / TDC

CUSTOMER:

STOCK

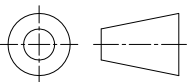
HOUSING MTL/PLTING:

CARBON STL / 303 SSTL  
 BLK OXIDE /

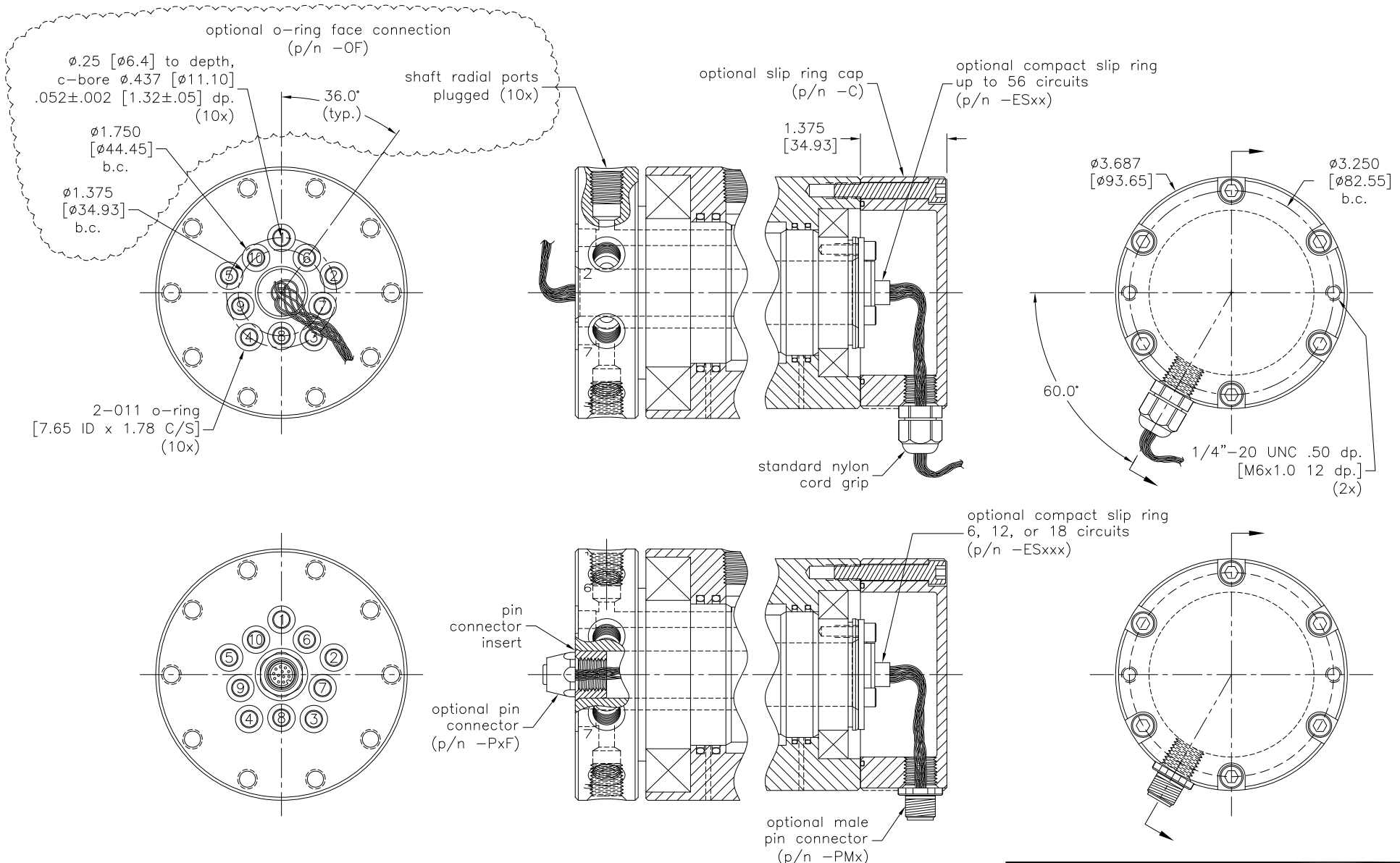
P/N:  
 GP(S)(M)-201-10

REV:  
 A.1

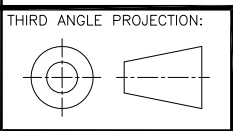
THIRD ANGLE PROJECTION:



THIS DOCUMENT CONTAINS INFORMATION WHICH IS PROPRIETARY TO DYNAMIC SEALING TECHNOLOGIES, INC. (DSTI) NO REPRODUCTION OR PUBLICATION OF THIS DOCUMENT OR IT'S CONTENTS, IN WHOLE OR PART, SHALL BE MADE WITHOUT THE WRITTEN CONSENT FROM DSTI.



- Notes:
- Optional male AND female pin connector (p/n -PMF).
  - Contact DSTI for details about slip rings and pin connectors.



TOLERANCE EXCEPT AS NOTED	
X.X	$\pm .125$
X.XX	$\pm .015$
X.XXX	$\pm .005$
ANGLES	$\pm 0.5^\circ$



Drawn	PJE	1/30/06
Checked	PJE	4/18/08
Checked	PJE	4/18/13

CAP MTL/PLTING:  
6061 ALUM  
BLUE ANODIZE

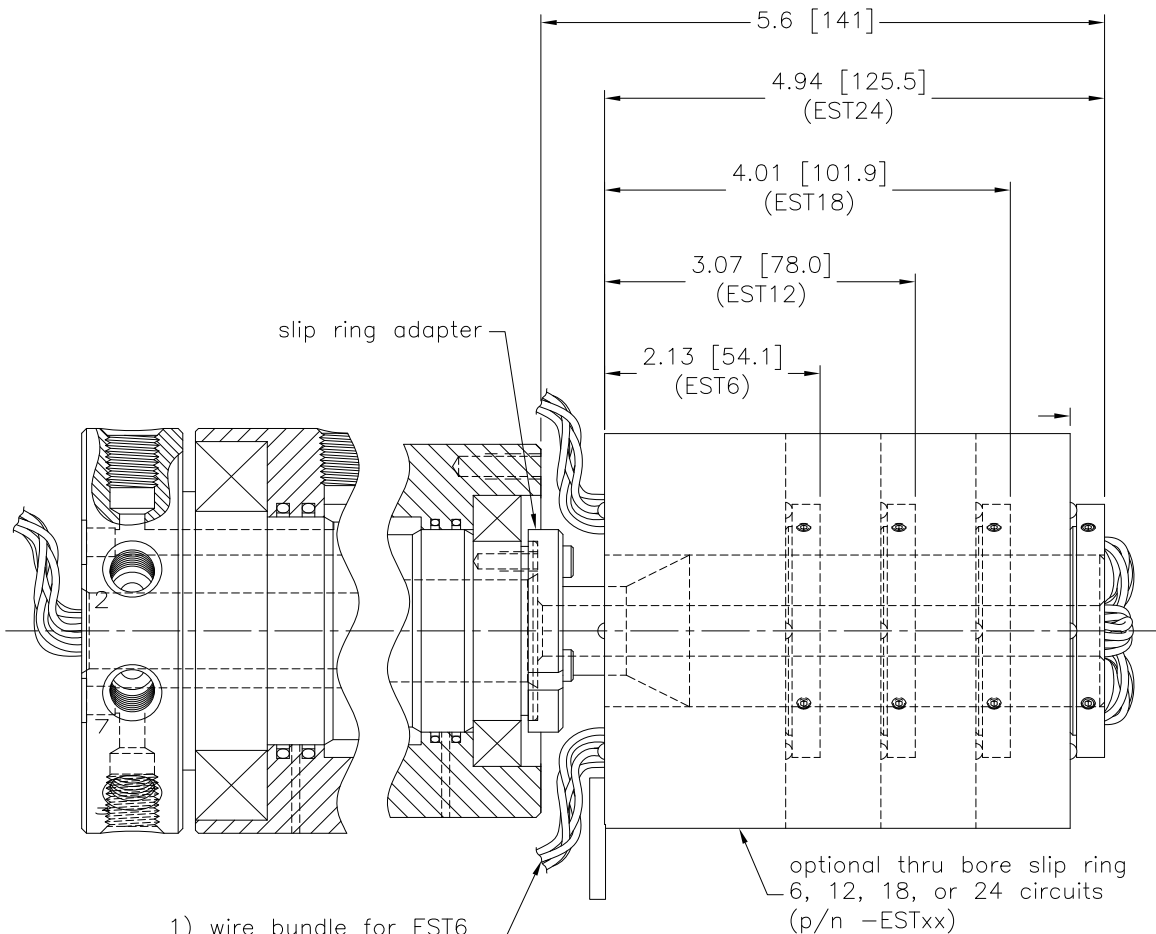
CUSTOMER:  
STOCK

THIS DOCUMENT CONTAINS INFORMATION WHICH IS PROPRIETARY TO DYNAMIC SEALING TECHNOLOGIES, INC. (DSTI) NO REPRODUCTION OR PUBLICATION OF THIS DOCUMENT OR IT'S CONTENTS, IN WHOLE OR PART, SHALL BE MADE WITHOUT THE WRITTEN CONSENT FROM DSTI.

PIN CONNECTOR INSERT MTL/PLTING:  
6061 ALUM  
BLUE ANODIZE

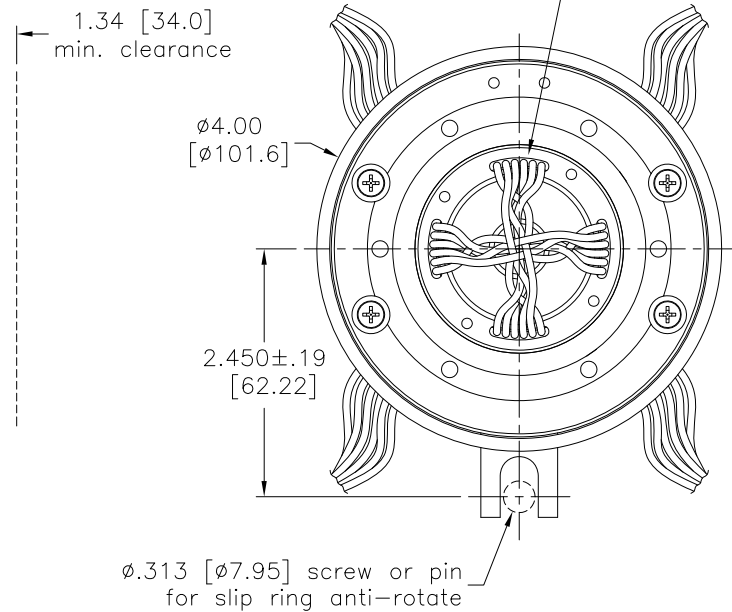
P/N:  
GP(S)(M)-201-10

REV:  
A.1

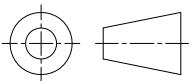


- 1) wire bundle for EST6
- 2) wire bundles for EST12
- 3) wire bundles for EST18
- 4) wire bundles for EST24

- 1) wire bundle for EST6
- 2) wire bundles for EST12
- 3) wire bundles for EST18
- 4) wire bundles for EST24



THIRD ANGLE PROJECTION:



TOLERANCE EXCEPT AS NOTED	
X.X	$\pm .125$
X.XX	$\pm .015$
X.XXX	$\pm .005$
ANGLES	$\pm 0.5^\circ$



Drawn	PJE	6/14/07
Checked	PJE	4/19/13
Checked	AKH	5/2/13

ADAPTER MTL/PLTING:  
6061 ALUM  
BLUE ANODIZE

CUSTOMER:  
STOCK

THIS DOCUMENT CONTAINS INFORMATION WHICH IS PROPRIETARY TO DYNAMIC SEALING TECHNOLOGIES, INC. (DSTI) NO REPRODUCTION OR PUBLICATION OF THIS DOCUMENT OR IT'S CONTENTS, IN WHOLE OR PART, SHALL BE MADE WITHOUT THE WRITTEN CONSENT FROM DSTI.

P/N:  
GP(S)(M)-201-10  
REV:  
A.1