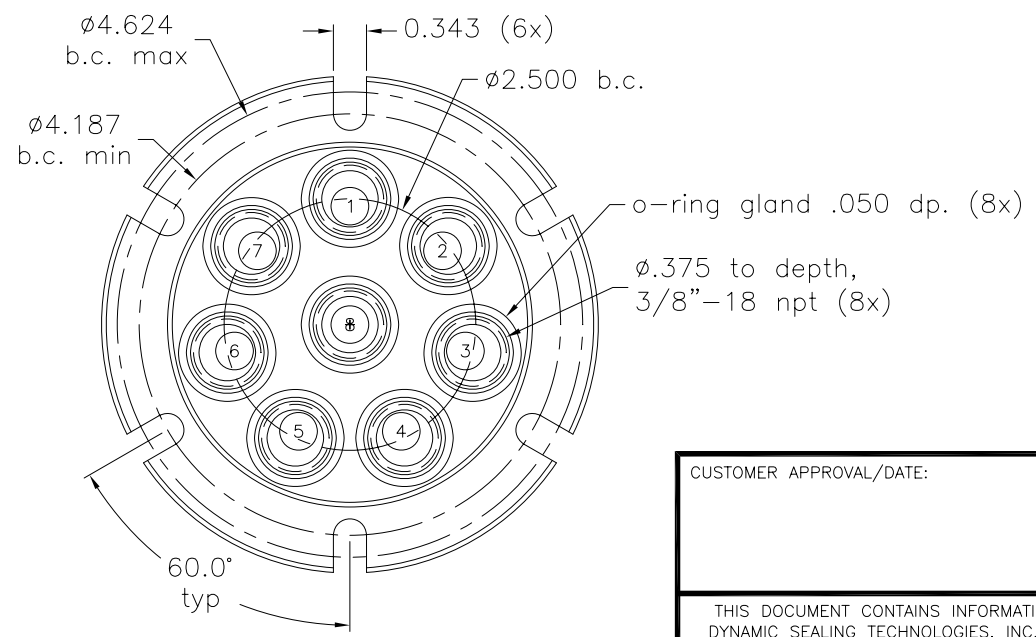
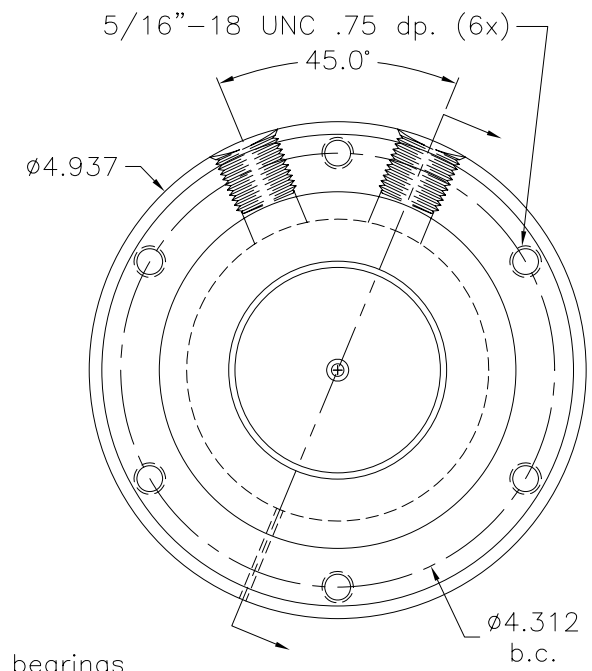
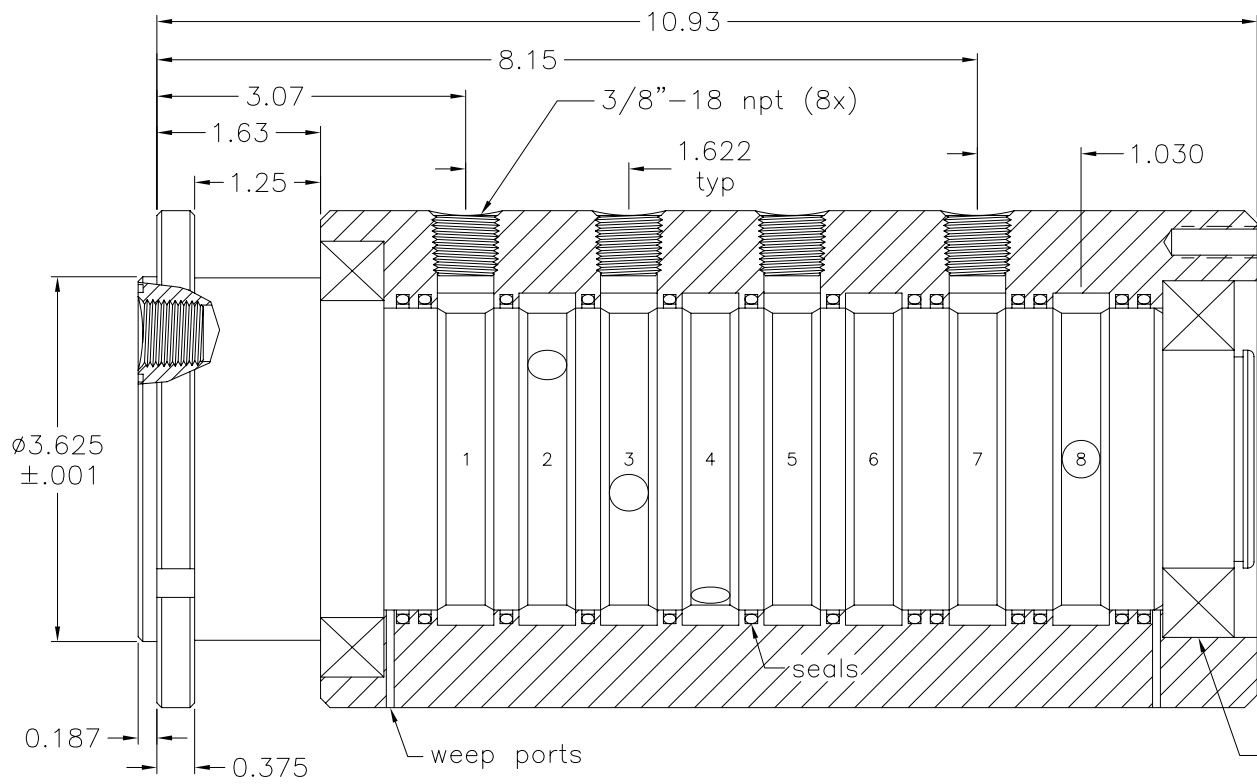


Rev	Date	Description
-	-	-



Drawn by	JSM	1/20/02
Check by	PJE	2/10/06
Check by	PJE	4/18/08

TOLLERANCES EXCEPT AS NOTED	
X.X	±.031
X.XX	±.010
X.XXX	±.003
ANGLES ± 0.5°	

  
**DYNAMIC SEALING TECHNOLOGIES**  
 INCORPORATED  
 13829 JAY ST NW ~ ANDOVER, MN 55304  
 866-700-DSTI (3784)

CUSTOMER APPROVAL/DATE:

THIS DOCUMENT CONTAINS INFORMATION WHICH IS PROPRIETARY TO DYNAMIC SEALING TECHNOLOGIES, INC. (DSTI) NO REPRODUCTION OR PUBLICATION OF THIS DOCUMENT OR IT'S CONTENTS, IN WHOLE OR PART, SHALL BE MADE WITHOUT THE WRITTEN CONSENT FROM DSTI.

SH MTL/PLTING	CARBON STL BLK OXIDE
HSG MTL/PLTING	CARBON STL BLK OXIDE

CUSTOMER:	STOCK
P/N:	380
REV:	A