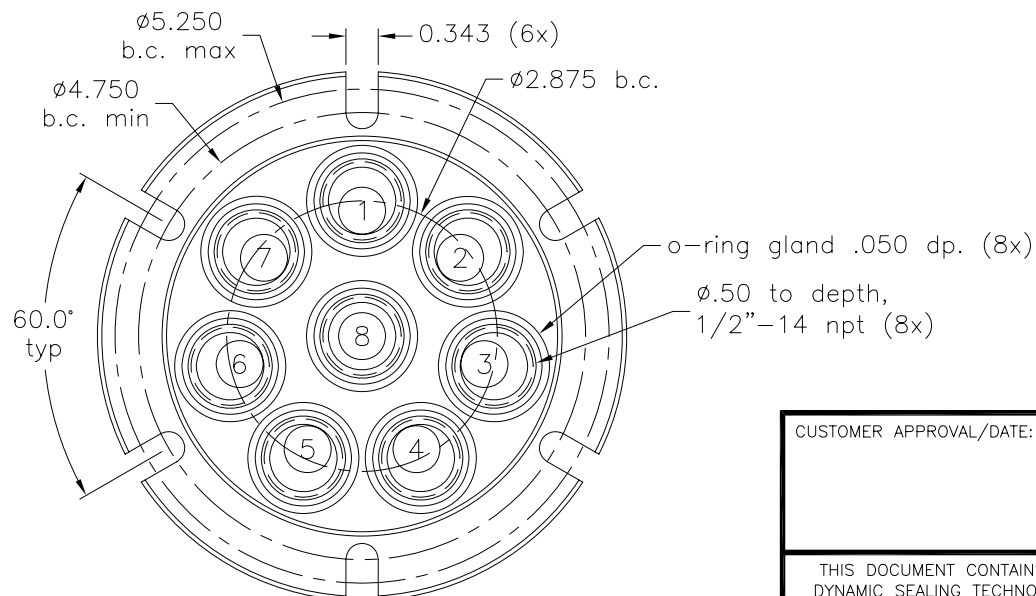
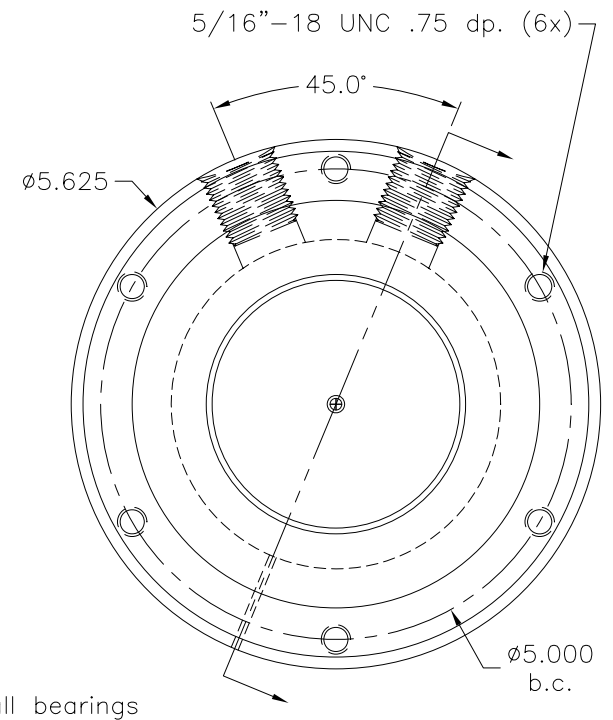
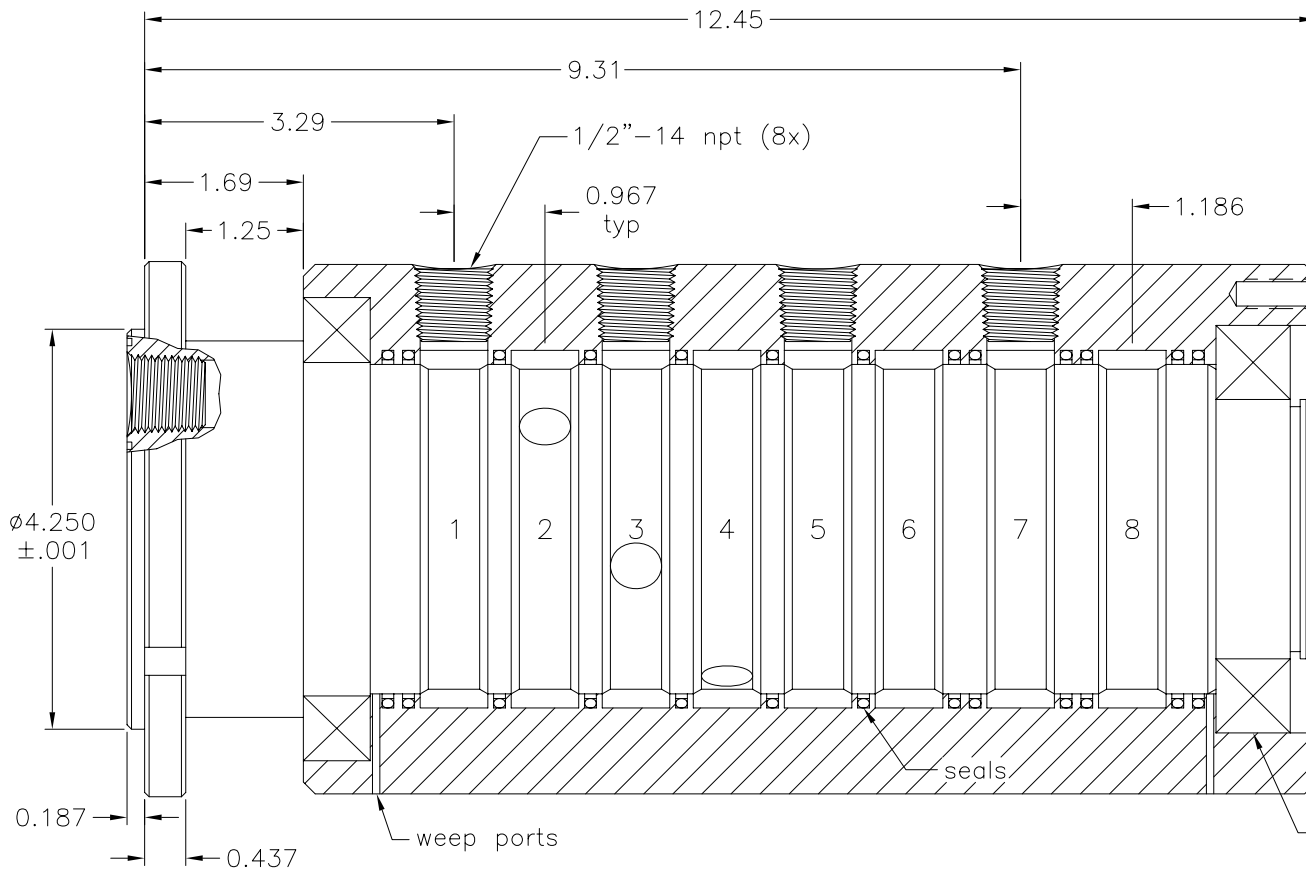


Rev	Date	Description
-	-	-



Drawn by	JSM	1/20/02
Check by	PJE	2/13/06
Check by	PJE	4/21/08

TOLLERANCES EXCEPT AS NOTED	
X.X	±.031
X.XX	±.010
X.XXX	±.003
ANGLES	± 0.5°


DYNAMIC SEALING TECHNOLOGIES
 INCORPORATED
 13829 JAY ST NW ~ ANDOVER, MN 55304
 866-700-DSTI (3784)

CUSTOMER APPROVAL/DATE:

SH MTL/PLTING
CARBON STL
BLK OXIDE

CUSTOMER:
STOCK

THIS DOCUMENT CONTAINS INFORMATION WHICH IS PROPRIETARY TO DYNAMIC SEALING TECHNOLOGIES, INC. (DSTI) NO REPRODUCTION OR PUBLICATION OF THIS DOCUMENT OR IT'S CONTENTS, IN WHOLE OR PART, SHALL BE MADE WITHOUT THE WRITTEN CONSENT FROM DSTI.

HSG MTL/PLTING
CARBON STL
BLK OXIDE

P/N:
480

REV:
A