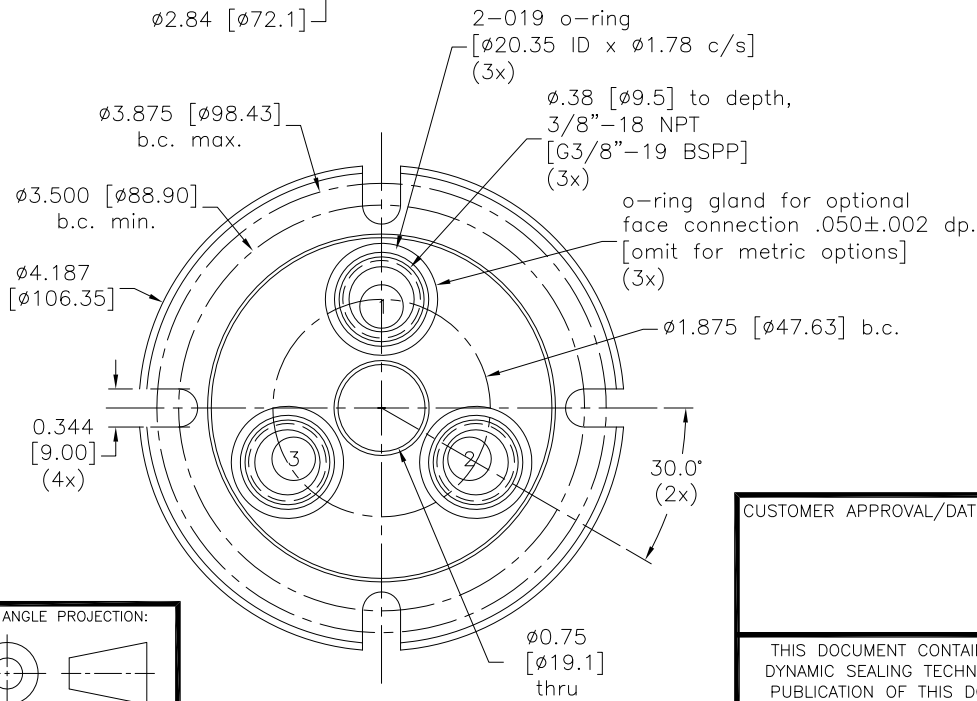
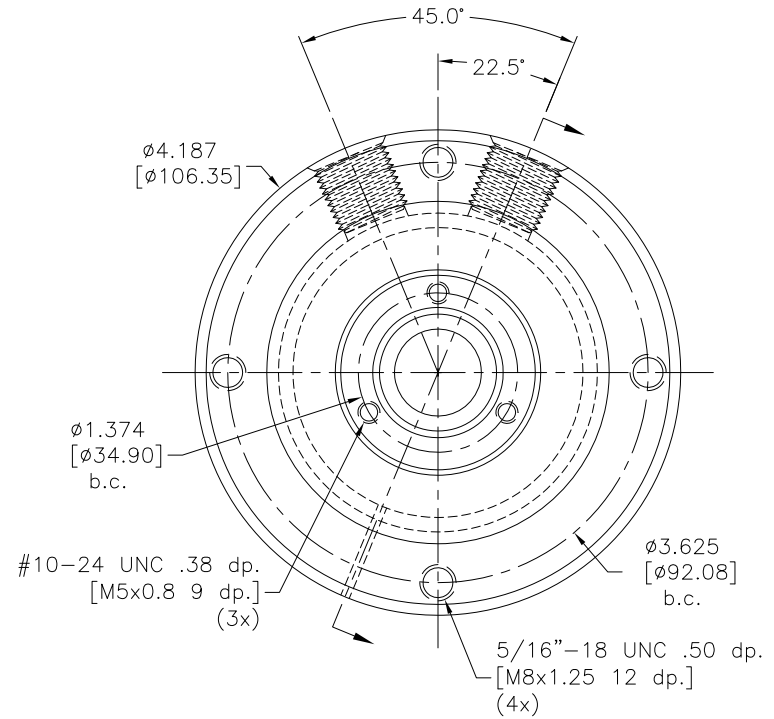
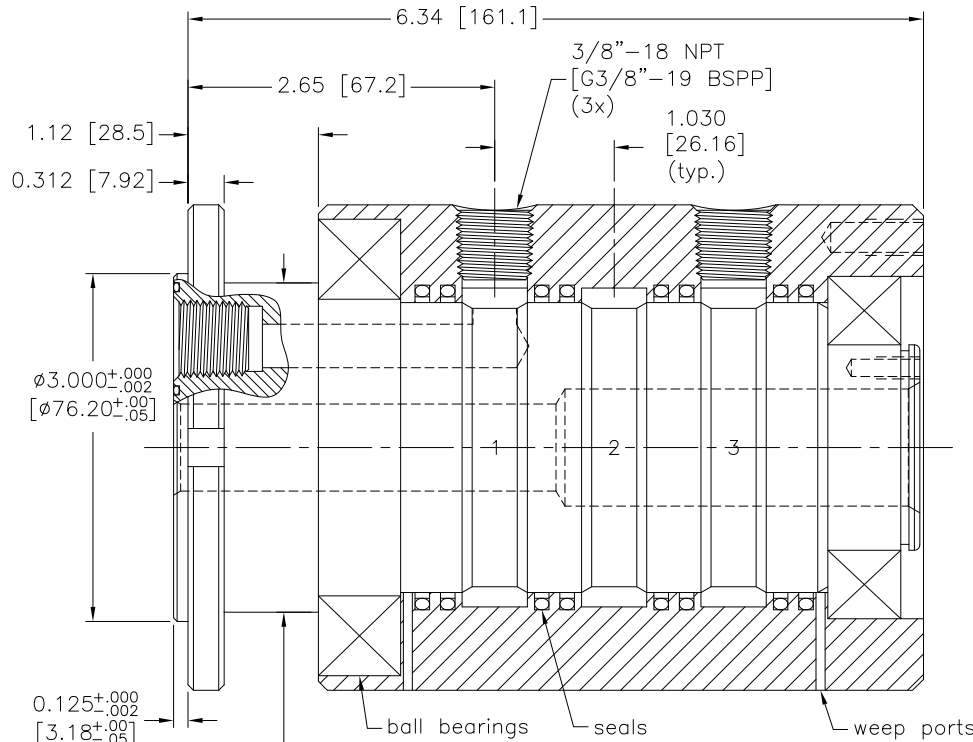


Rev:	Date	By	Chk	Description
A.1	3/13/13	PJE	RAW	ECO 0024



**Notes:**

1. Union will be rotated for seal break-in and static air tested.
2. Media must be filtered, clean and free of abrasive content or reduced union life will result.
3. Stainless steel union construction available by using GPS in place of GP in the series designation prefix.
4. Metric connections and threads available by using GPM in place of GP in the series designation prefix.
5. Stainless steel union construction and metric connections/threads available by using GPSM in place of GP in the series designation prefix.
6. See SHEETS 2 and 3 for product options.

Drawn	JSM	1/20/02
Checked	PJE	2/10/06
Checked	PJE	4/18/08

TOLERANCE EXCEPT AS NOTED	
X.X	$\pm .125$
X.XX	$\pm .015$
X.XXX	$\pm .005$
ANGLES	$\pm 0.5^\circ$

SHAFT MTL/PLTING:  
 CARBON STL / 17-4 SSTL  
 60-62 Rc / 40-47 Rc  
 BLK OXIDE / TDC

HOUSING MTL/PLTING:  
 CARBON STL / 303 SSTL  
 BLK OXIDE /

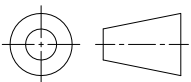


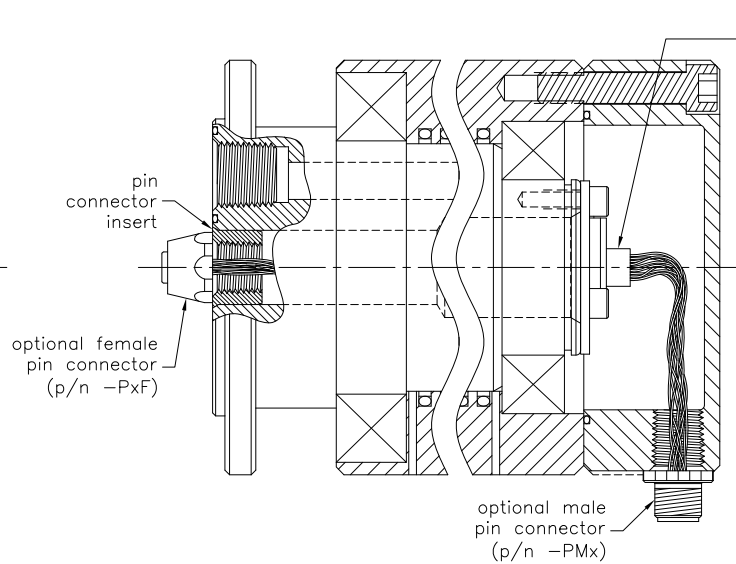
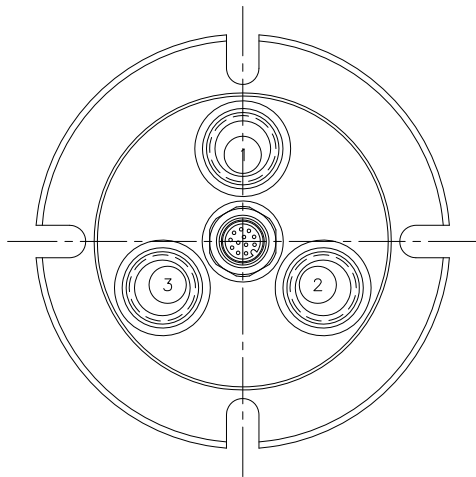
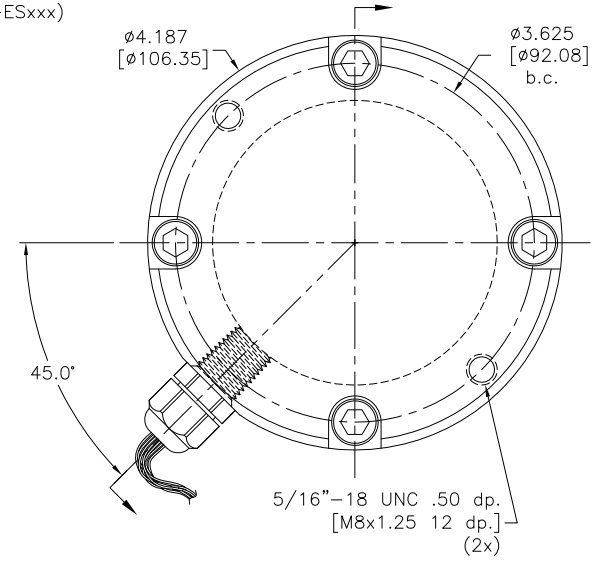
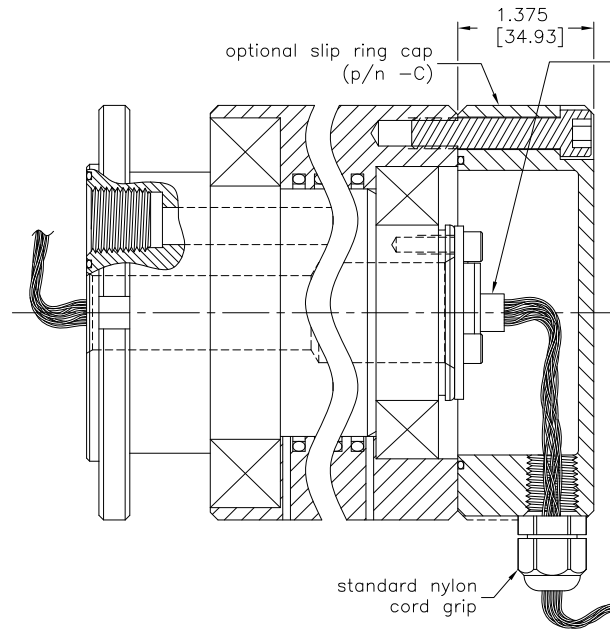
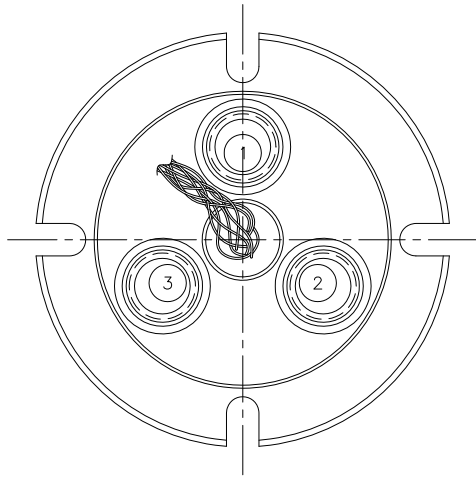
CUSTOMER:	STOCK
P/N:	GP(S)(M)-331
REV:	A.1

CUSTOMER APPROVAL/DATE:

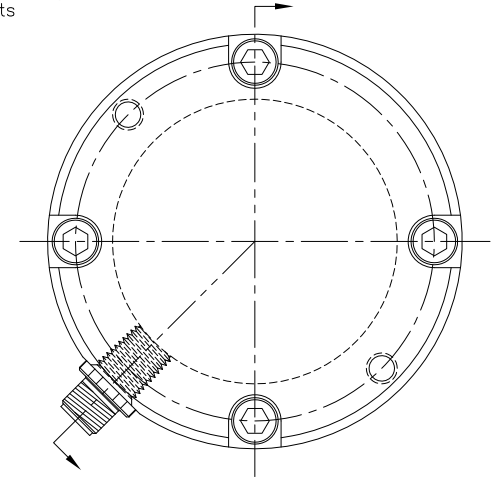
THIS DOCUMENT CONTAINS INFORMATION WHICH IS PROPRIETARY TO DYNAMIC SEALING TECHNOLOGIES, INC. (DSTI) NO REPRODUCTION OR PUBLICATION OF THIS DOCUMENT OR IT'S CONTENTS, IN WHOLE OR PART, SHALL BE MADE WITHOUT THE WRITTEN CONSENT FROM DSTI.

THIRD ANGLE PROJECTION:





optional compact slip ring  
6, 12, or 18 circuits  
(p/n -ESxxx)



Notes:

1. Optional male AND female pin connector (p/n -PMF).
2. Contact DSTI for details about slip rings and pin connectors.

Drawn	PJE	2/10/06
Checked	PJE	4/18/08
Checked	PJE	3/13/13

TOLERANCE EXCEPT AS NOTED	
X.X	±.125
X.XX	±.015
X.XXX	±.005
ANGLES	± 0.5°



CUSTOMER APPROVAL/DATE:

CAP MTL/PLTING:  
ALUM  
BLUE ANODIZE

CUSTOMER:  
STOCK OPTIONS

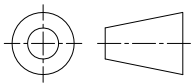
THIS DOCUMENT CONTAINS INFORMATION WHICH IS PROPRIETARY TO DYNAMIC SEALING TECHNOLOGIES, INC. (DSTI) NO REPRODUCTION OR PUBLICATION OF THIS DOCUMENT OR IT'S CONTENTS, IN WHOLE OR PART, SHALL BE MADE WITHOUT THE WRITTEN CONSENT FROM DSTI.

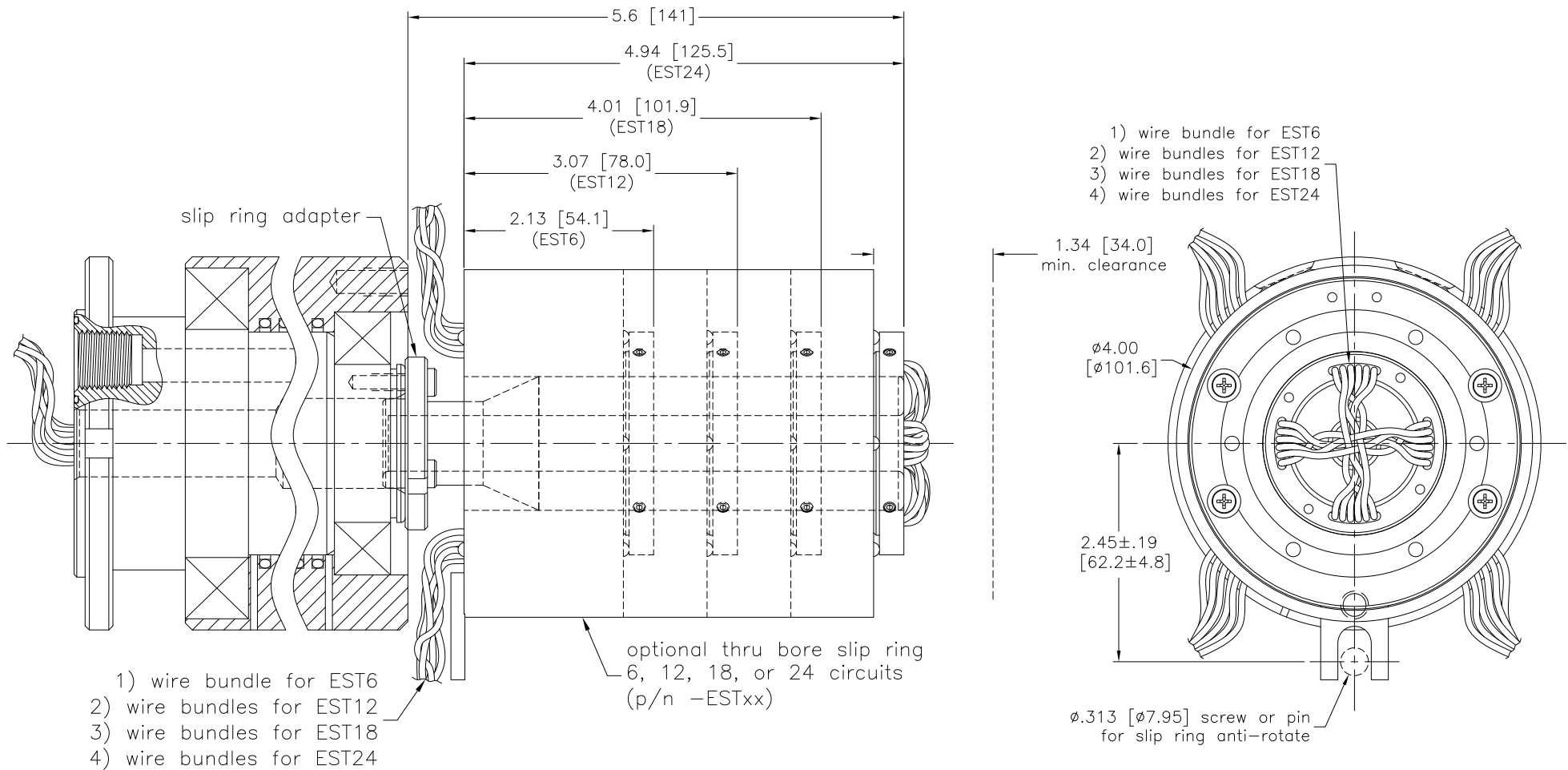
PIN CONNECTOR  
INSERT MTL/PLTING:  
ALUM  
BLUE ANODIZE

P/N:  
GP(S)(M)-331

REV:  
A.1

THIRD ANGLE PROJECTION:





Drawn	PJE	4/24/07
Checked	PJE	3/13/13
Checked	RAW	3/27/13

TOLERANCE EXCEPT AS NOTED	
X.X	±.125
X.XX	±.015
X.XXX	±.005
ANGLES	± 0.5°

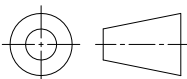
**DSTI**  
 DYNAMIC SEALING TECHNOLOGIES, INC  
 13829 JAY ST NW ~ ANDOVER, MN 55304  
 866-700-DSTI (3784)

CUSTOMER APPROVAL/DATE:

ADAPTER MTL/PLTNG:  
 ALUM  
 BLUE ANODIZE

CUSTOMER:  
 STOCK OPTIONS

THIRD ANGLE PROJECTION:



THIS DOCUMENT CONTAINS INFORMATION WHICH IS PROPRIETARY TO DYNAMIC SEALING TECHNOLOGIES, INC. (DSTI) NO REPRODUCTION OR PUBLICATION OF THIS DOCUMENT OR IT'S CONTENTS, IN WHOLE OR PART, SHALL BE MADE WITHOUT THE WRITTEN CONSENT FROM DSTI.

P/N: GP(S)(M)-331

REV: A.1