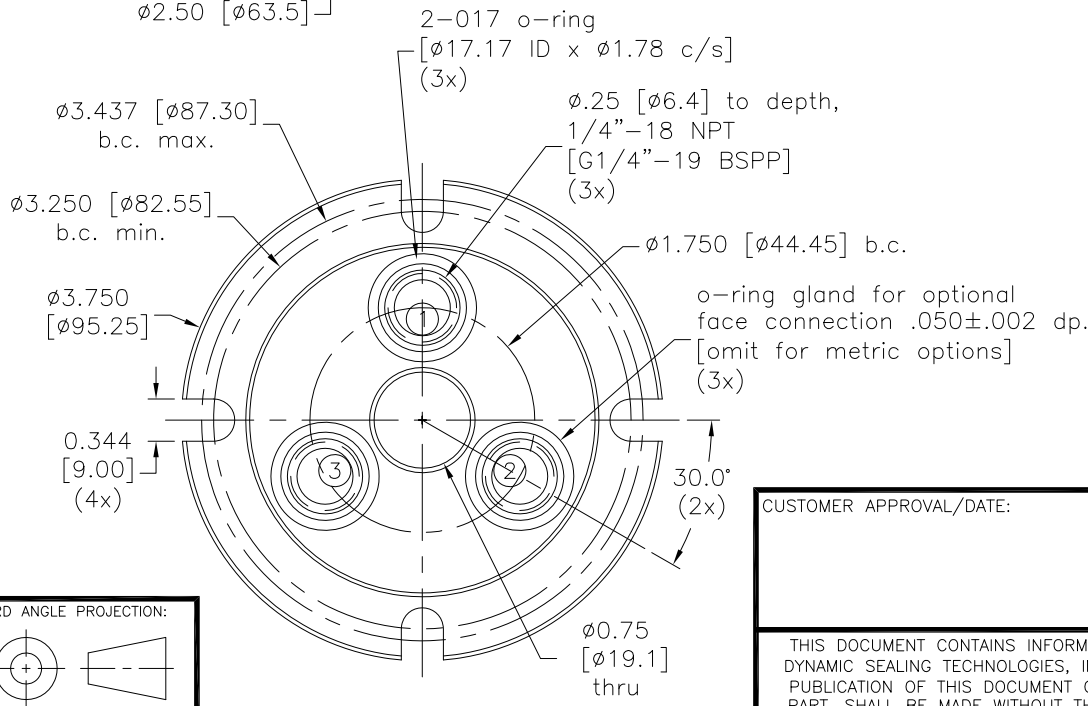
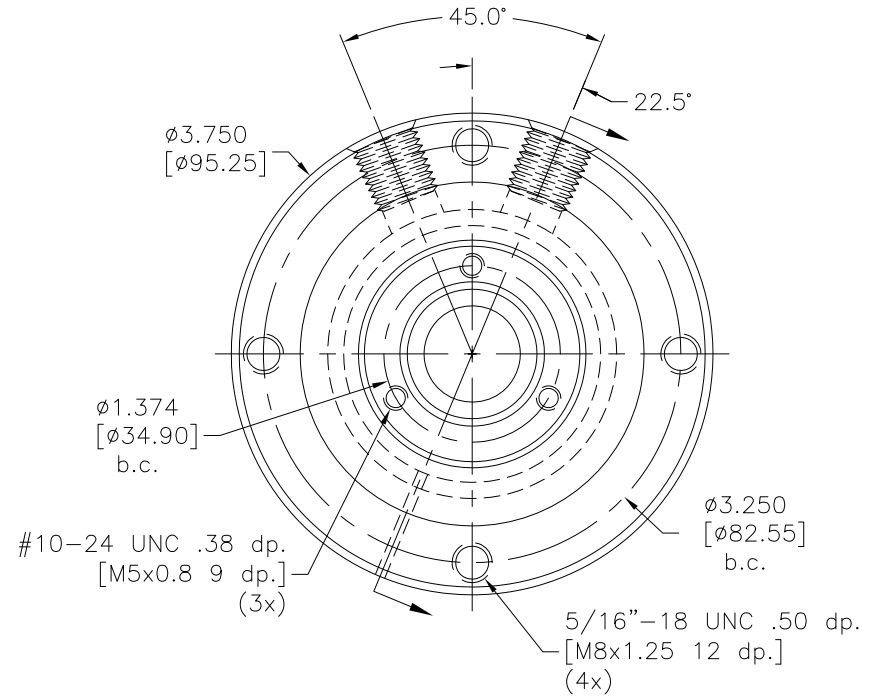
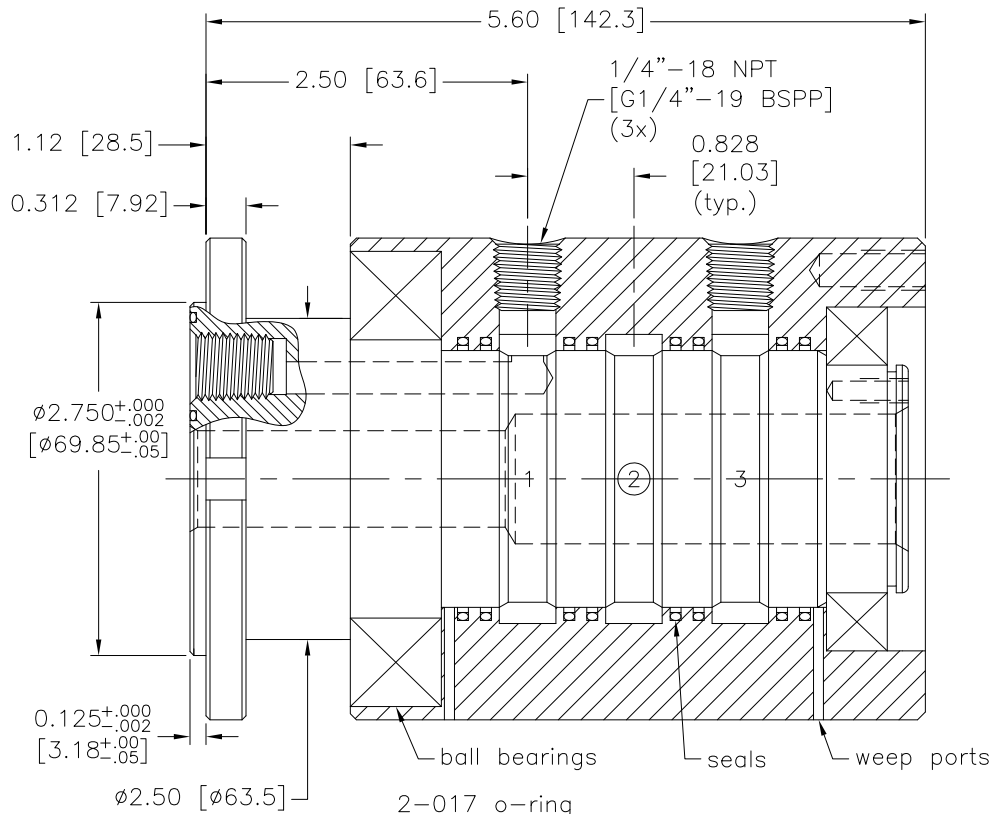


Rev:	Date	By	Chk	Description
A.1	6/4/12	PJE	RAW	ECO 0024



**Notes:**

1. Union will be rotated for seal break-in and static air tested.
2. Media must be filtered, clean and free of abrasive content or reduced union life will result.
3. Stainless steel union construction available by using GPS in place of GP in the series designation prefix.
4. Metric connections and threads available by using GPM in place of GP in the series designation prefix.
5. Stainless steel union construction and metric connections/threads available by using GPSM in place of GP in the series designation prefix.
6. See SHEETS 2 and 3 for product options.

Drawn	JSM	1/20/02
Checked	PJE	4/16/08
Checked	PJE	3/29/10

TOLERANCE EXCEPT AS NOTED	
X.X	±.125
X.XX	±.015
X.XXX	±.005
ANGLES	± 0.5°

SHAFT MTL/PLTING:	CARBON STL / 17-4 SSSL
	60-62 Rc / 40-47 Rc
	BLK OXIDE / TDC

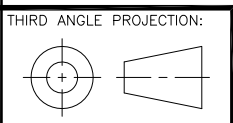
HOUSING MTL/PLTING:	CARBON STL / 303 SSSL
	BLK OXIDE /

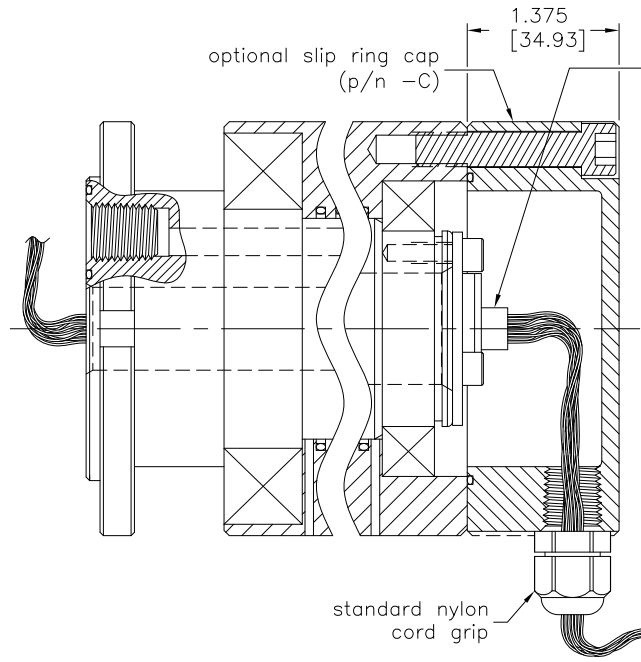
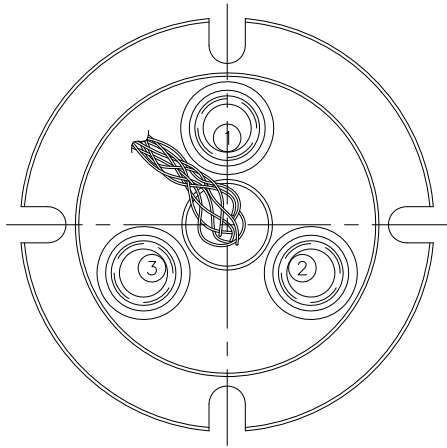
CUSTOMER: STOCK

P/N: GP(S)(M)-231 REV: A.1

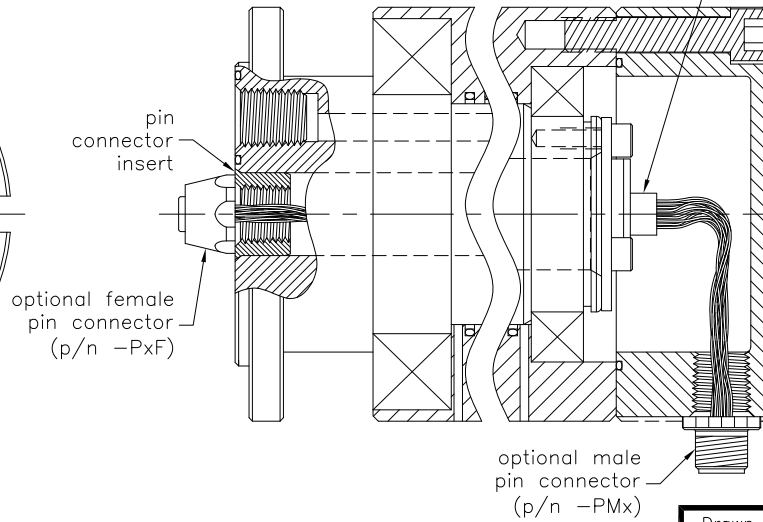
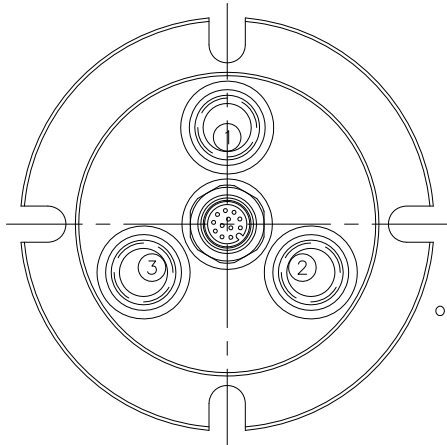
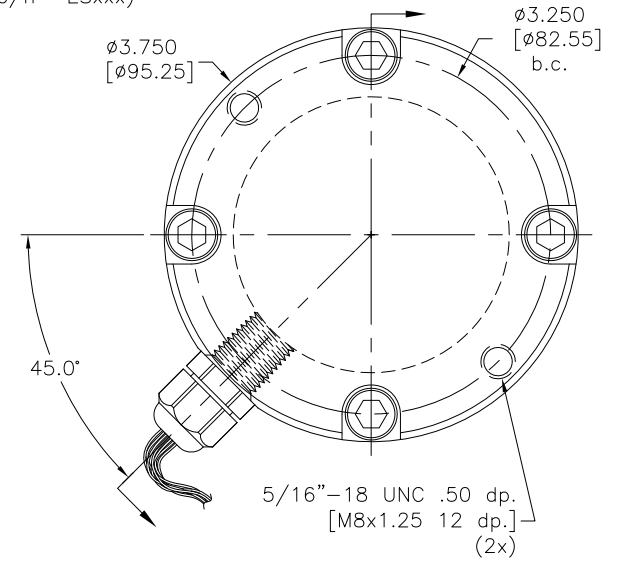
CUSTOMER APPROVAL/DATE:

THIS DOCUMENT CONTAINS INFORMATION WHICH IS PROPRIETARY TO DYNAMIC SEALING TECHNOLOGIES, INC. (DSTI) NO REPRODUCTION OR PUBLICATION OF THIS DOCUMENT OR IT'S CONTENTS, IN WHOLE OR PART, SHALL BE MADE WITHOUT THE WRITTEN CONSENT FROM DSTI.

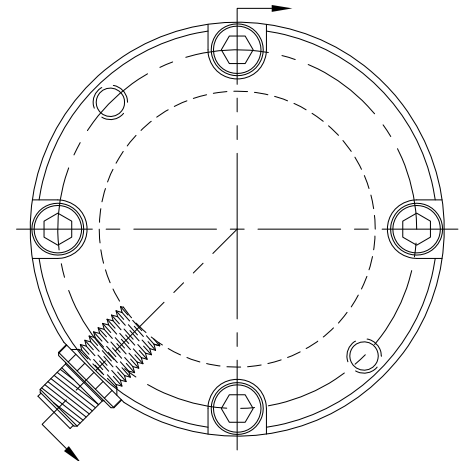




optional compact slip ring up to 56 circuits (p/n -ESxxx)



optional compact slip ring 6, 12, or 18 circuits (p/n -ESxxx)



Notes:

- Optional male AND female pin connector (p/n -PMF).
- Contact DSTI for details about slip rings and pin connectors.

Drawn	PJE	2/7/06
Checked	PJE	4/18/06
Checked	PJE	3/29/10

TOLERANCE EXCEPT AS NOTED	
X.X	$\pm .125$
X.XX	$\pm .015$
X.XXX	$\pm .005$
ANGLES	$\pm 0.5^\circ$

CUSTOMER APPROVAL/DATE:

CAP MTL/PLTING:

ALUM  
BLUE ANODIZE

PIN CONNECTOR  
INSERT MTL/PLTING:  
ALUM  
BLUE ANODIZE

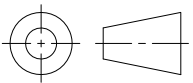


CUSTOMER:  
STOCK OPTIONS

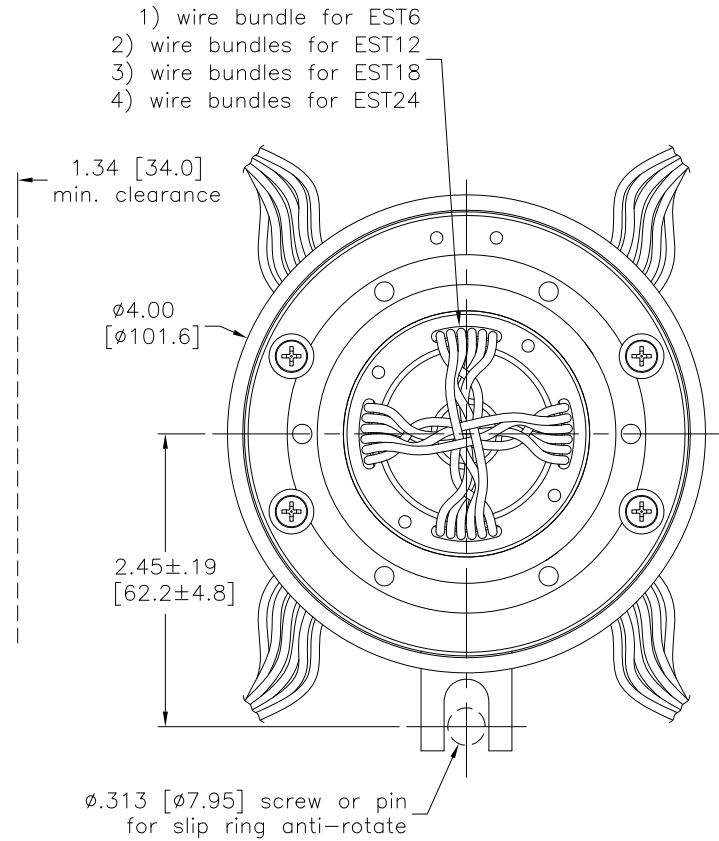
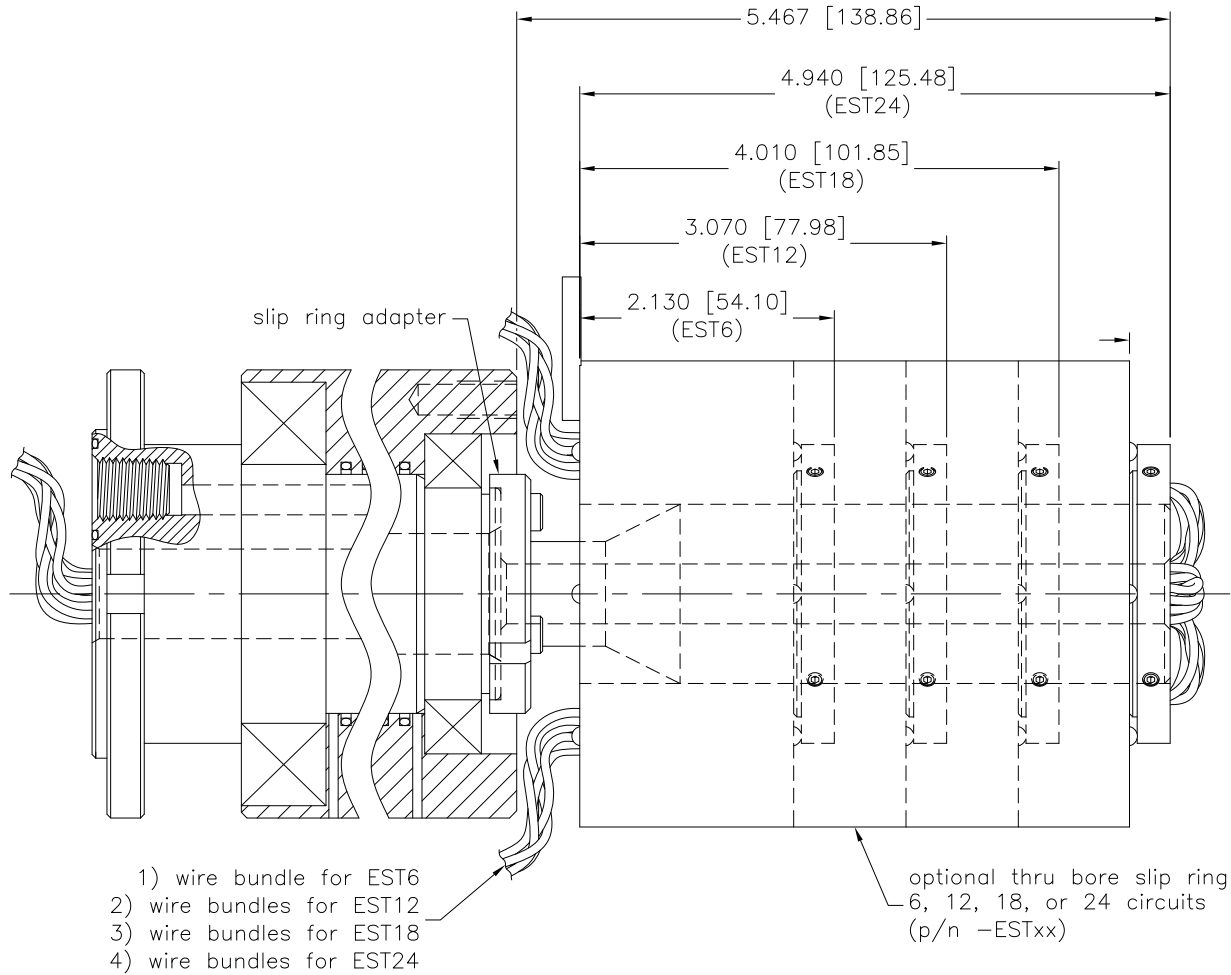
P/N: GP(S)(M)-231

REV: A.1

THIRD ANGLE PROJECTION:



THIS DOCUMENT CONTAINS INFORMATION WHICH IS PROPRIETARY TO DYNAMIC SEALING TECHNOLOGIES, INC. (DSTI) NO REPRODUCTION OR PUBLICATION OF THIS DOCUMENT OR IT'S CONTENTS, IN WHOLE OR PART, SHALL BE MADE WITHOUT THE WRITTEN CONSENT FROM DSTI.



Drawn	PJE	5/4/12
Checked	TCB	5/7/12
Checked	RAW	5/7/12

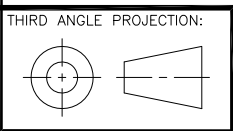
TOLERANCE EXCEPT AS NOTED	
X.X	±.125
X.XX	±.015
X.XXX	±.005
ANGLES	± 0.5°



CUSTOMER APPROVAL/DATE:

ADAPTER MTL/PLTNG:  
 ALUM  
 BLUE ANODIZE

CUSTOMER:  
 STOCK OPTIONS



THIS DOCUMENT CONTAINS INFORMATION WHICH IS PROPRIETARY TO DYNAMIC SEALING TECHNOLOGIES, INC. (DSTI) NO REPRODUCTION OR PUBLICATION OF THIS DOCUMENT OR IT'S CONTENTS, IN WHOLE OR PART, SHALL BE MADE WITHOUT THE WRITTEN CONSENT FROM DSTI.

P/N:

GP(S)(M)-231  
 REV: A.1