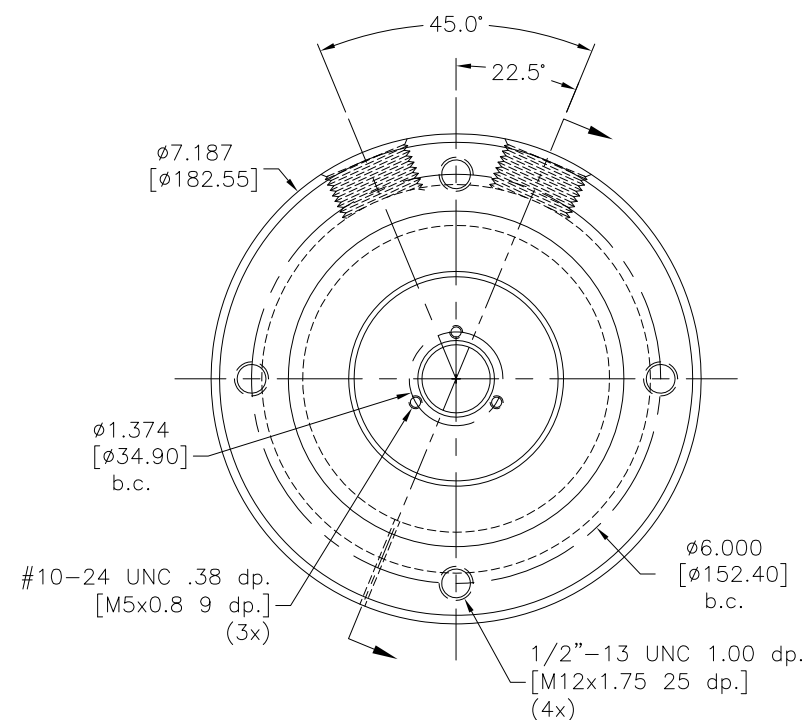
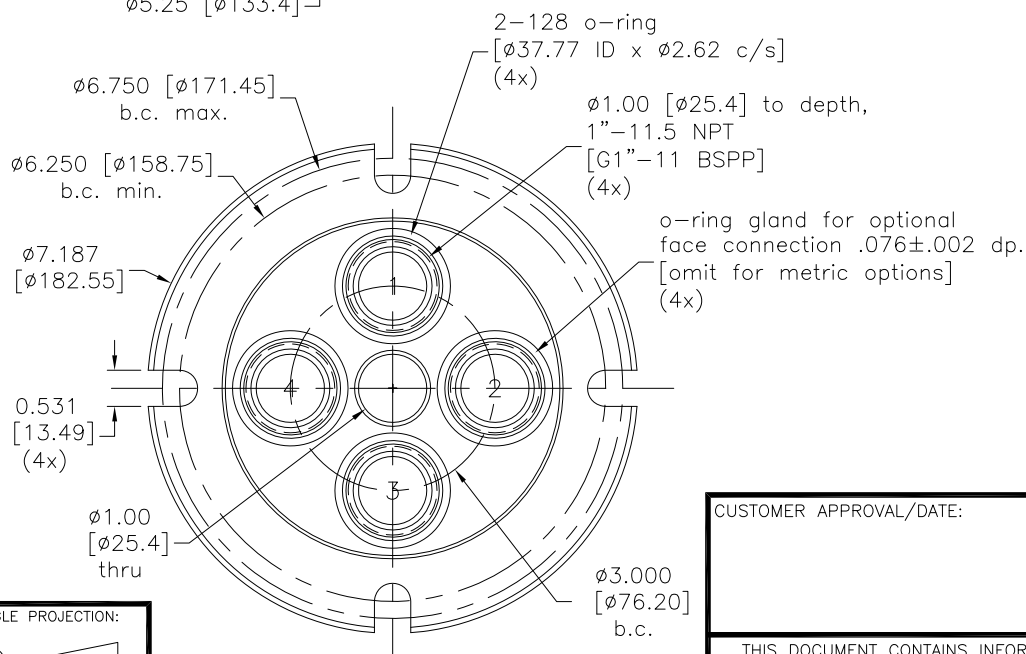
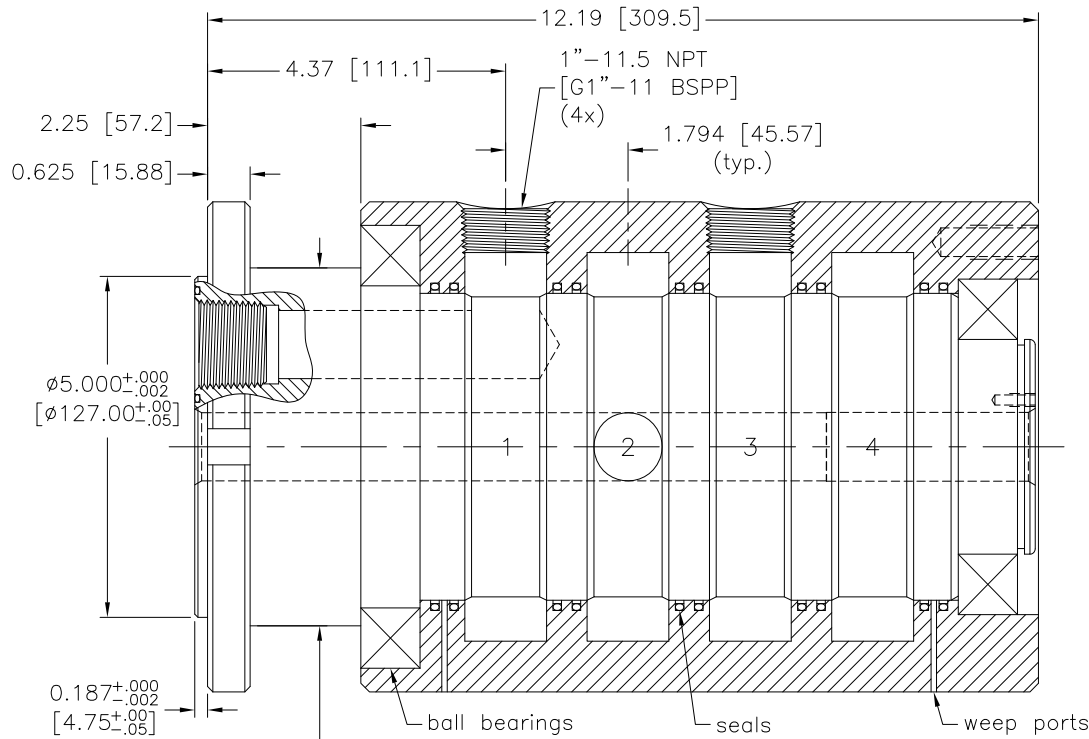
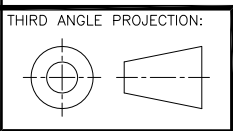


Rev:	Date	By	Chk	Description
A.1	2/25/13	PJE	DES	ECO 0024



- Notes:**
1. Union will be rotated for seal break-in and static air tested.
 2. Media must be filtered, clean and free of abrasive content or reduced union life will result.
 3. Stainless steel union construction available by using GPS in place of GP in the series designation prefix.
 4. Metric connections and threads available by using GPM in place of GP in the series designation prefix.
 5. Stainless steel union construction and metric connections/threads available by using GPSM in place of GP in the series designation prefix.
 6. See SHEETS 2 and 3 for product options.



Drawn	PJE	4/28/09	TOLERANCE	EXCEPT AS NOTED
Checked	RAW	5/1/09	X.X	±.125
Checked	PJE	2/25/13	X.XX	±.015
			X.XXX	±.005
			ANGLES	± 0.5°

CUSTOMER APPROVAL/DATE:

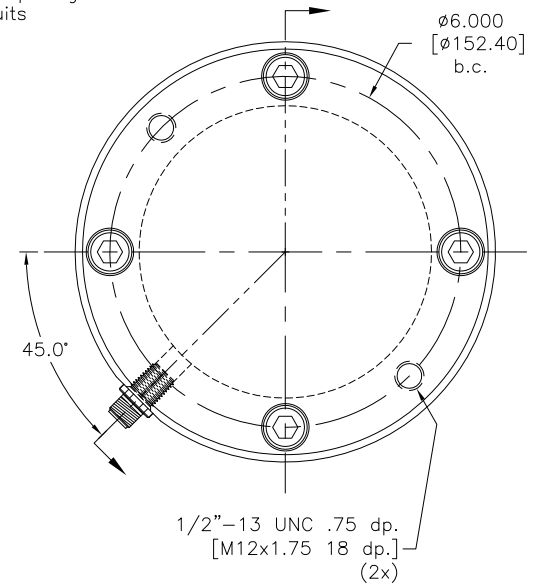
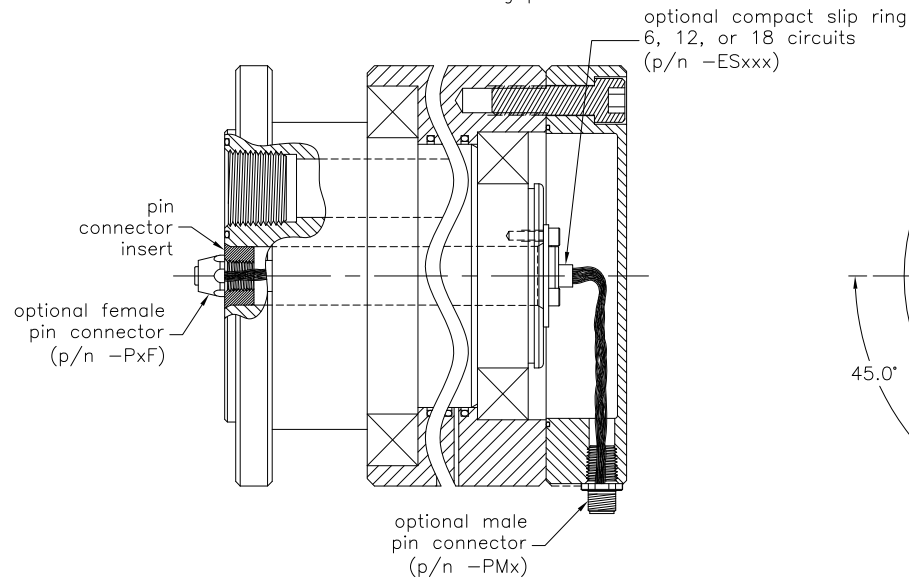
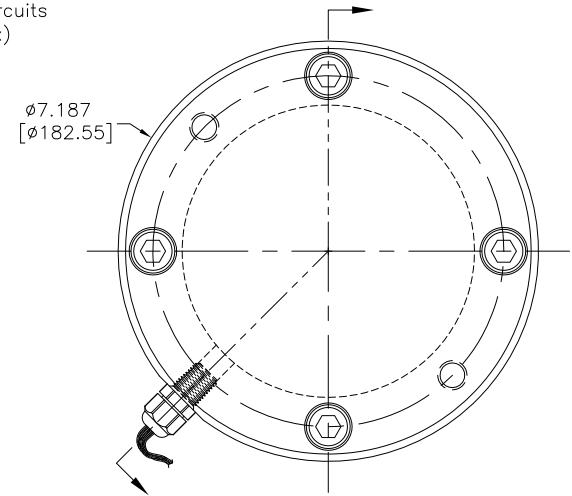
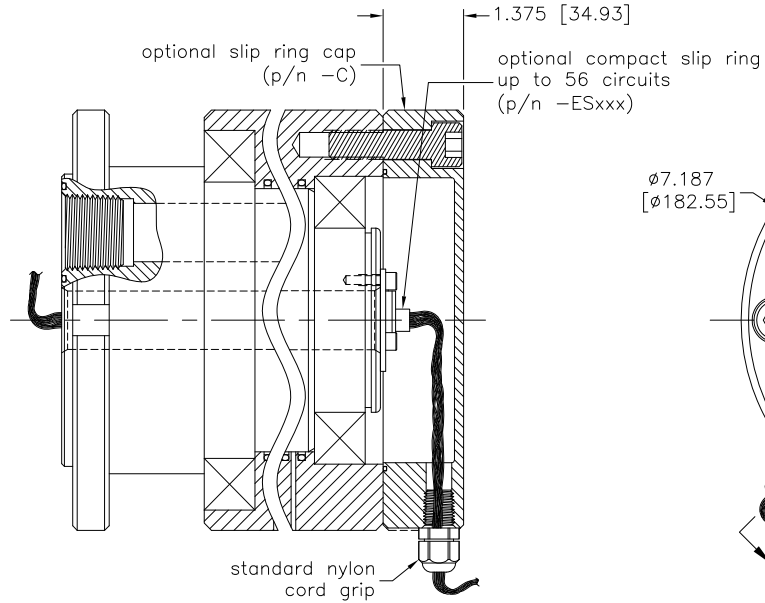
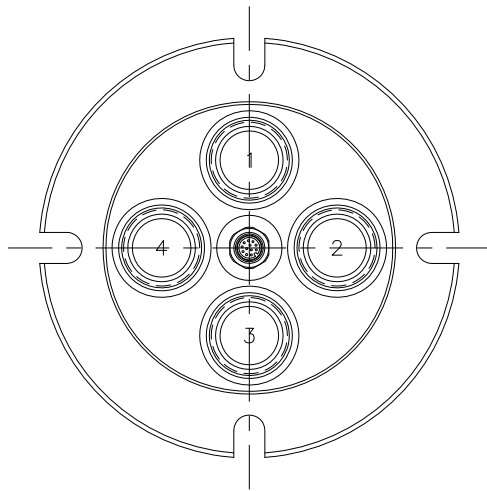
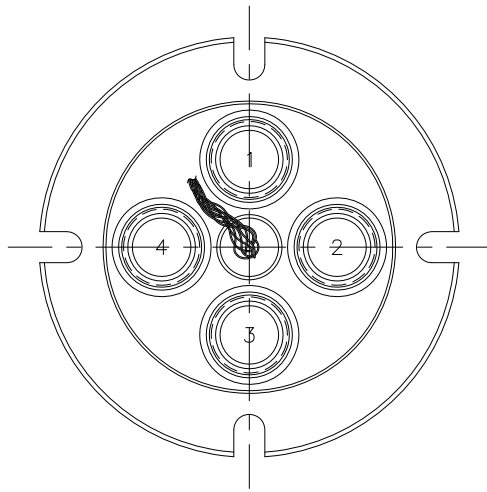
THIS DOCUMENT CONTAINS INFORMATION WHICH IS PROPRIETARY TO DYNAMIC SEALING TECHNOLOGIES, INC. (DSTI) NO REPRODUCTION OR PUBLICATION OF THIS DOCUMENT OR IT'S CONTENTS, IN WHOLE OR PART, SHALL BE MADE WITHOUT THE WRITTEN CONSENT FROM DSTI.

SHAFT MTL/PLTING:	CARBON STL / 17-4 SSSL
	60-62 Rc / 40-47 Rc
	BLK OXIDE / TDC
HOUSING MTL/PLTING:	CARBON STL / 303 SSSL
	BLK OXIDE /

CUSTOMER: STOCK

P/N: GP(S)(M)-641

REV: A.1



Notes:

- Optional male AND female pin connector (p/n -PMF).
- Contact DSTI for details about slip rings and pin connectors.

Drawn	PJE	2/28/09
Checked	PJE	2/25/13
Checked	DES	2/27/13

TOLERANCE EXCEPT AS NOTED	
X.X	±.125
X.XX	±.015
X.XXX	±.005
ANGLES	± 0.5°

13829 JAY ST NW ~ ANDOVER, MN 55304
866-700-DSTI (3784)

CUSTOMER APPROVAL/DATE:

THIS DOCUMENT CONTAINS INFORMATION WHICH IS PROPRIETARY TO DYNAMIC SEALING TECHNOLOGIES, INC. (DSTI) NO REPRODUCTION OR PUBLICATION OF THIS DOCUMENT OR IT'S CONTENTS, IN WHOLE OR PART, SHALL BE MADE WITHOUT THE WRITTEN CONSENT FROM DSTI.

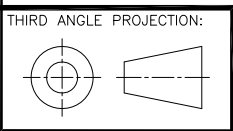
CAP MTL/PLTING:
ALUM
BLUE ANODIZE

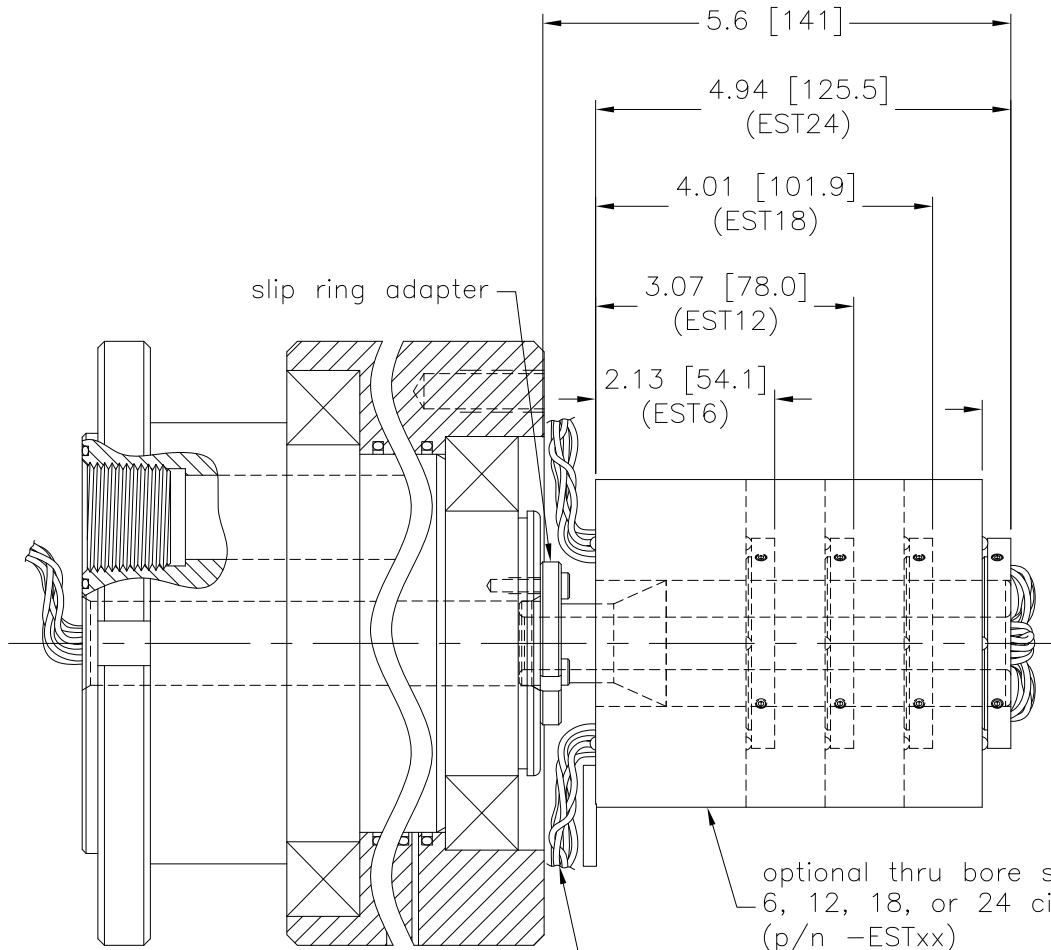
PIN CONNECTOR INSERT MTL/PLTING:
ALUM
BLUE ANODIZE

CUSTOMER:
STOCK OPTIONS

P/N:
GP(S)(M)-641

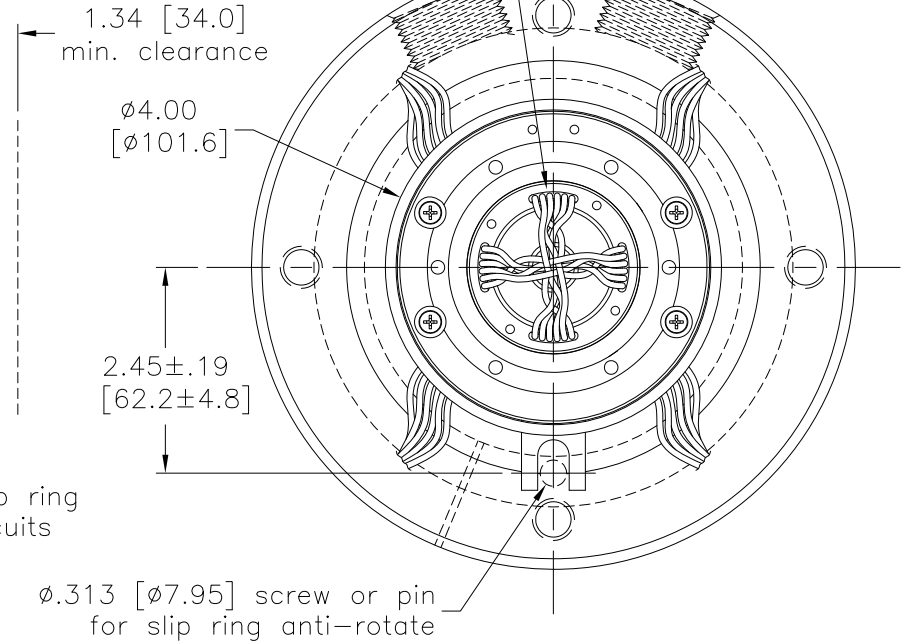
REV:
A.1





- 1) wire bundle for EST6
- 2) wire bundles for EST12
- 3) wire bundles for EST18
- 4) wire bundles for EST24

- 1) wire bundle for EST6
- 2) wire bundles for EST12
- 3) wire bundles for EST18
- 4) wire bundles for EST24



Drawn	PJE	2/25/13
Checked	DES	2/27/13
Checked	RAW	2/27/13

TOLERANCE EXCEPT AS NOTED	
X.X	$\pm .125$
X.XX	$\pm .015$
X.XXX	$\pm .005$
ANGLES	$\pm 0.5^\circ$



CUSTOMER APPROVAL/DATE:

ADAPTER MTL/PLTNG:

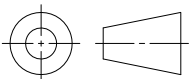
ALUM
BLUE ANODIZE

CUSTOMER:
STOCK OPTIONS

P/N:
GP(S)(M)-641

REV:
A.1

THIRD ANGLE PROJECTION:



THIS DOCUMENT CONTAINS INFORMATION WHICH IS PROPRIETARY TO DYNAMIC SEALING TECHNOLOGIES, INC. (DSTI) NO REPRODUCTION OR PUBLICATION OF THIS DOCUMENT OR IT'S CONTENTS, IN WHOLE OR PART, SHALL BE MADE WITHOUT THE WRITTEN CONSENT FROM DSTI.