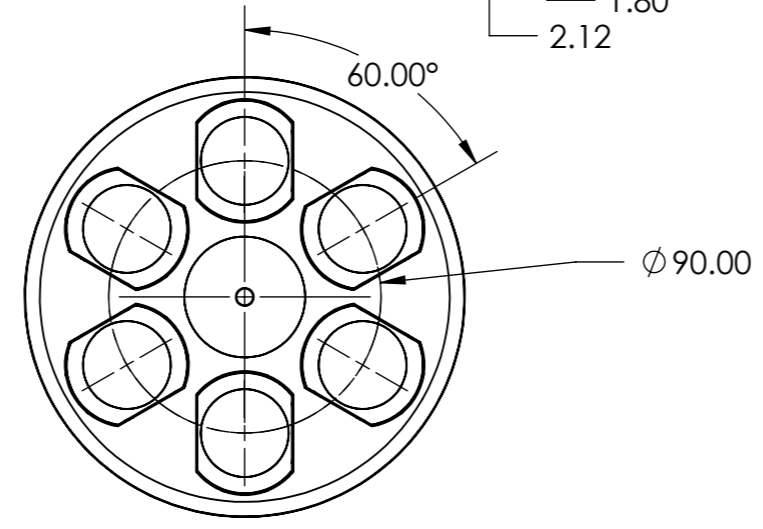
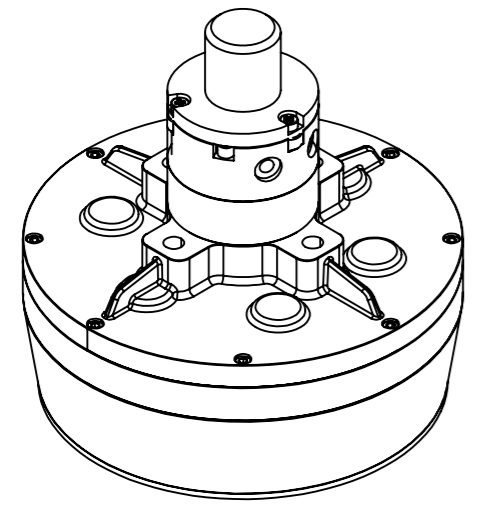
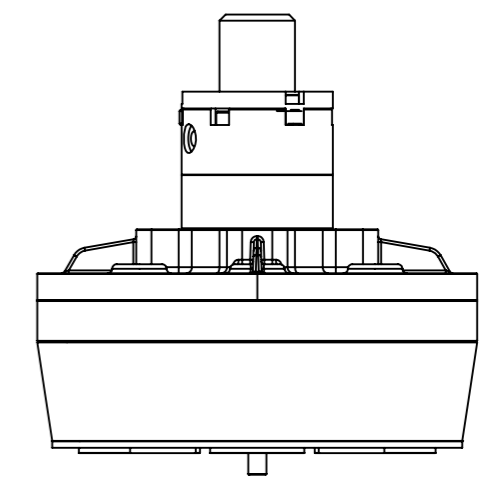
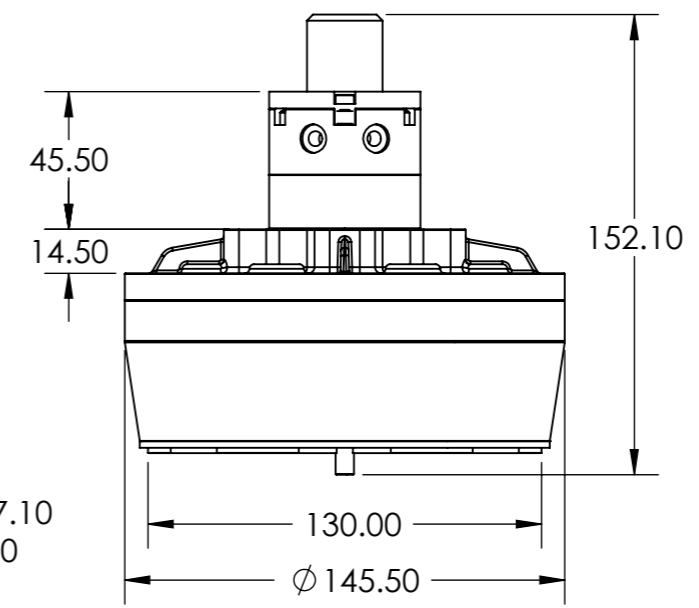
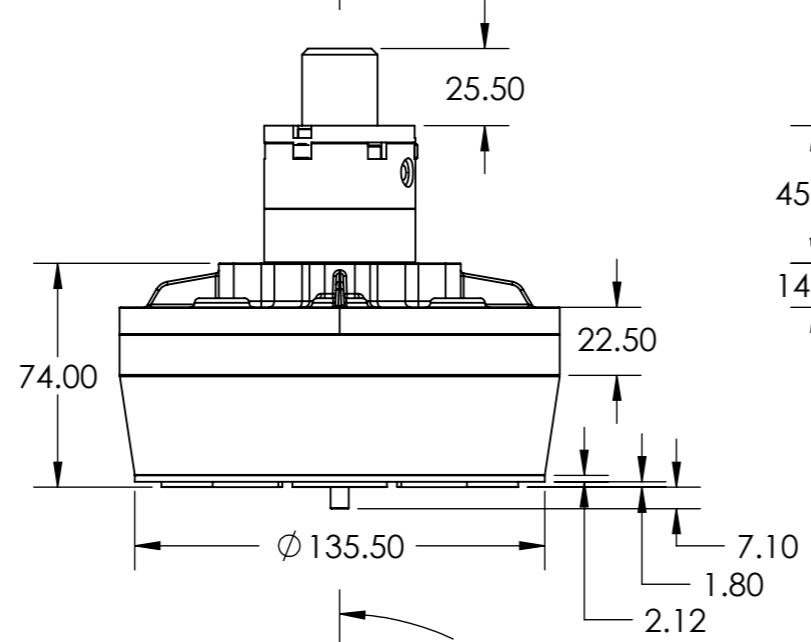
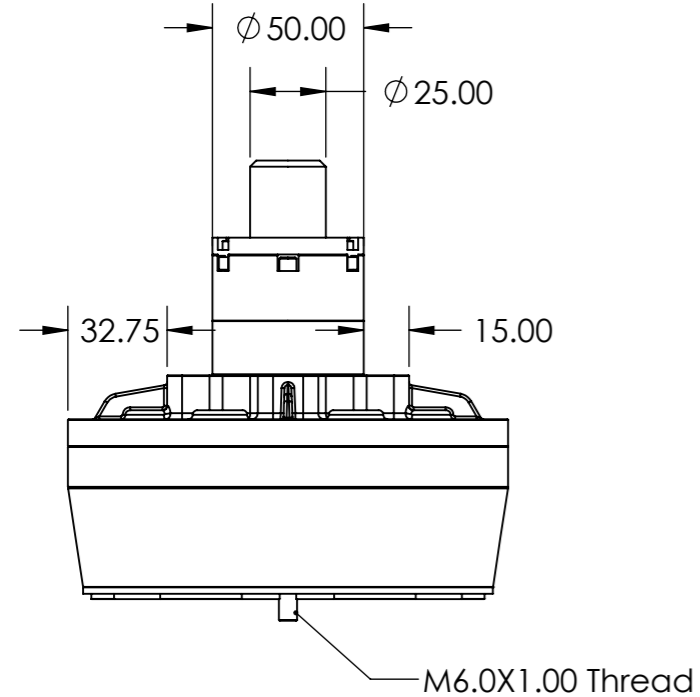
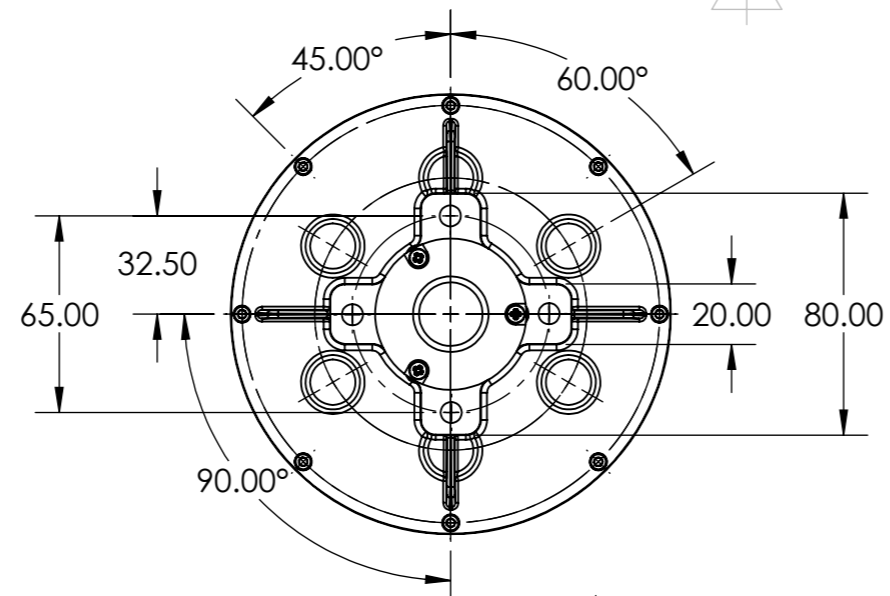


ACCESSORIES	
PART NUMBER	DESCRIPTION
280007	Pneumatic Actuator Style S for 30mm Magswitch

Max Breakaway	525 lbs
Safe Working Load	131 lbs
Optimum Material Thickness	10g



THIS DOCUMENT, AND THE INFORMATION IT CONTAINS, INCLUDING THE PRINCIPLES OF DESIGN, IS THE EXCLUSIVE PROPERTY OF MAGSWITCH TECHNOLOGY WORLDWIDE AND IS CONFIDENTIAL. ACCORDINGLY, THIS INFORMATION IS SUBMITTED TO YOU WITH THE AGREEMENT THAT IT IS NOT TO BE REPRODUCED, COPIED, OR LOANED IN PART OR IN WHOLE, NOR IS THE INFORMATION TO BE RELAYED TO ANY OTHER INDIVIDUAL OR COMPANY EXCEPT AS MTW FIRST AUTHORIZES IN WRITING. ACCEPTANCE OF THIS DOCUMENT CONSTITUTES AGREEMENT TO THESE RESTRICTIONS.

INTERPRET DRAWING PER: ANSI Y14.5M-1994	DRAWN	DATE 5/3/2012
DIMENSIONS ARE IN MILLIMETERS	DESIGN	DATE
 THIRD ANGLE PROJECTION DO NOT SCALE	STD. CHECK	DATE
	F/F CHECK	DATE
	APPROVED	DATE

8774 YATES DRIVE, SUITE 140
WESTMINSTER, COLORADO 80031
303-468-0662 / FAX 303-951-9918

TITLE: **M30AY JSC**

SIZE B	CAGE CODE	DWG. NO. 8140176	REV 01
SCALE 2:5		WEIGHT: 2919.91 g	SHEET 1 OF 1