

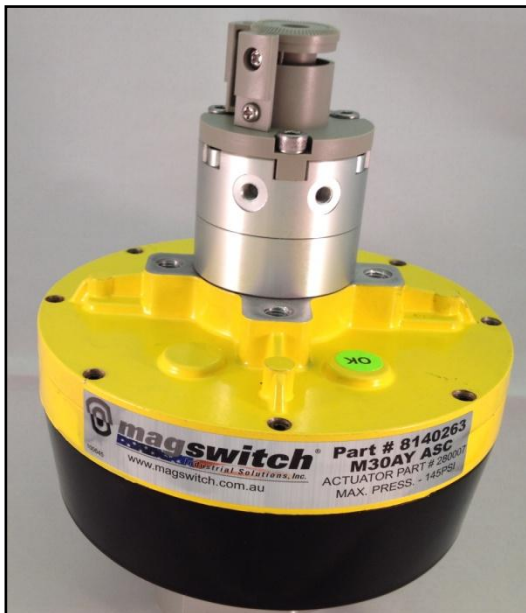


Magswitch Technology, Inc.
 8774 Yates Dr. Suite 140
 Westminster, CO 80031
 Magswitch.com.au
 303-468-0662

Magswitch M30AY JSC

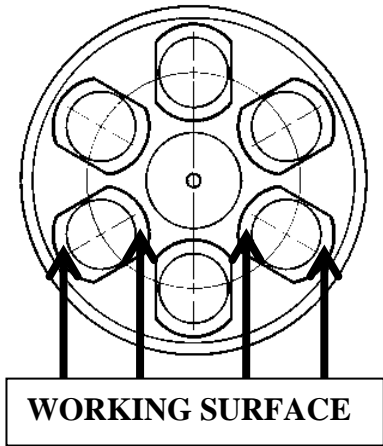
P/N: 8140176

Magswitch “AY” series utilizes field interaction between individual Magswitch units to manipulate magnetic field shape allowing for a deeper or shallower depth of field and increased holding in shear while utilizing a single actuator. This makes the “AY” series the perfect cost effective unit for de-stacking operations and lifting flat steel in shear.



WARNING!
 Do Not Operate Unless In
 Contact With Ferrous Target

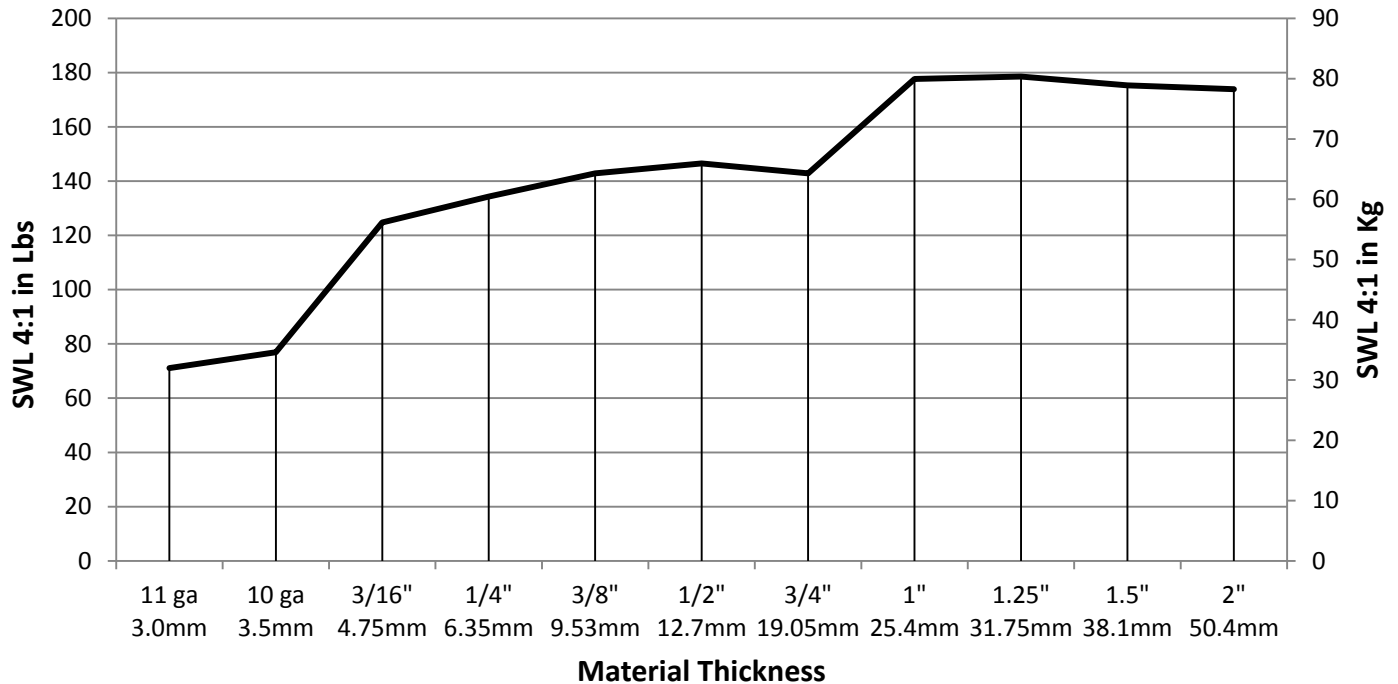
SPECIFICATIONS	
P/N: 8140176 - MAGSWITCH M30AY JSC	
Max Breakaway*	703 lbs/319 kg
Safe Working Load*	175 lbs/79 kg
Full Saturation Thickness	1 in/ 25.4mm
Max Safe Shear*	73 lbs/33 kg
Minimum Thickness for De-Stack	1in/ 25.4mm
Min PSI	30
Max PSI	100
Net Weight	6.4 lbs/2.9 kg
Air Port Thread	M5x0.8
Mounting Thread	M8x1.0
Overall Height	152.1 mm
Magnetic Pole Footprint	131x49 mm
Actuator Part Number	280007



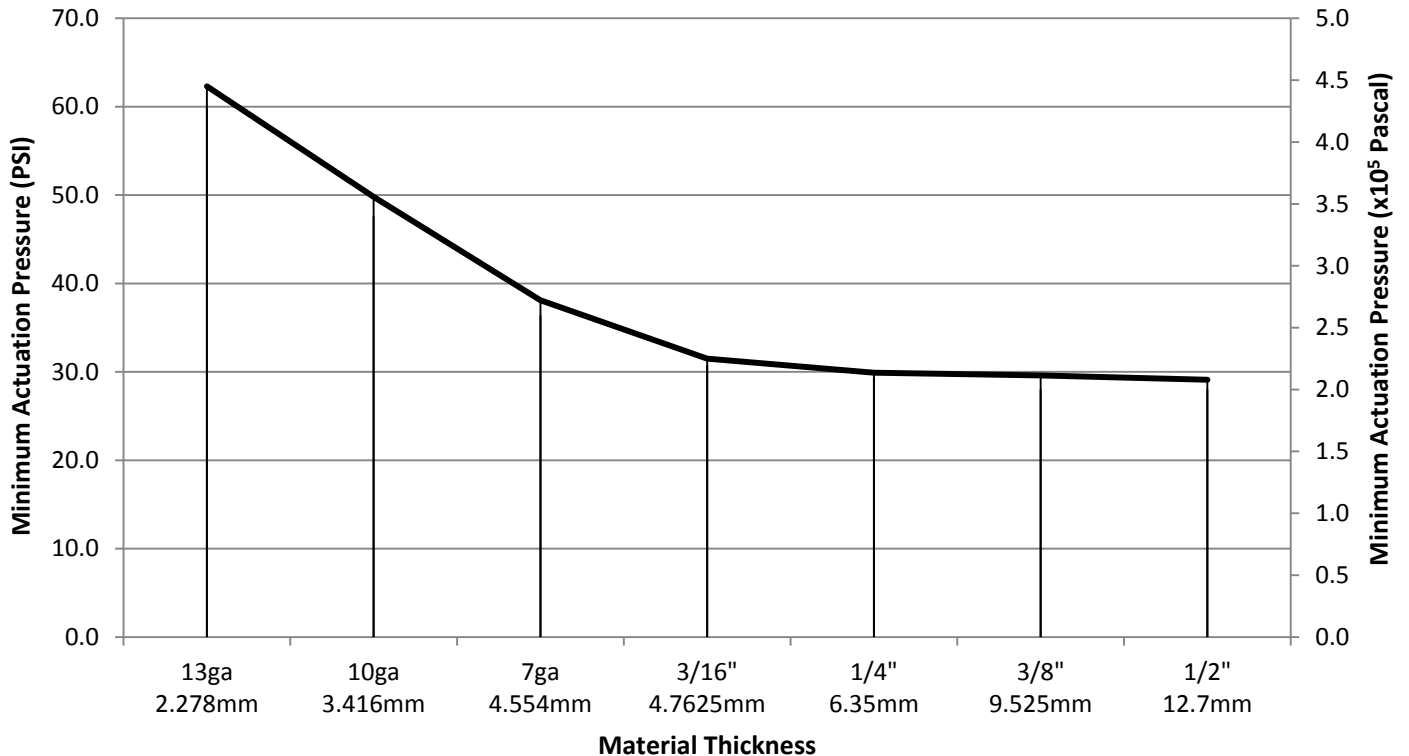
* Max Breakaway determined in laboratory environment on 2” thick SAE1018 Steel with surface roughness 63 micro inches. Many factors contribute to the actual breakaway force in each application. Always test the magswitch in each application before deployment. Refer to the magswitch information booklet for more information.



Magswitch M30AY JSC Safe Working Load



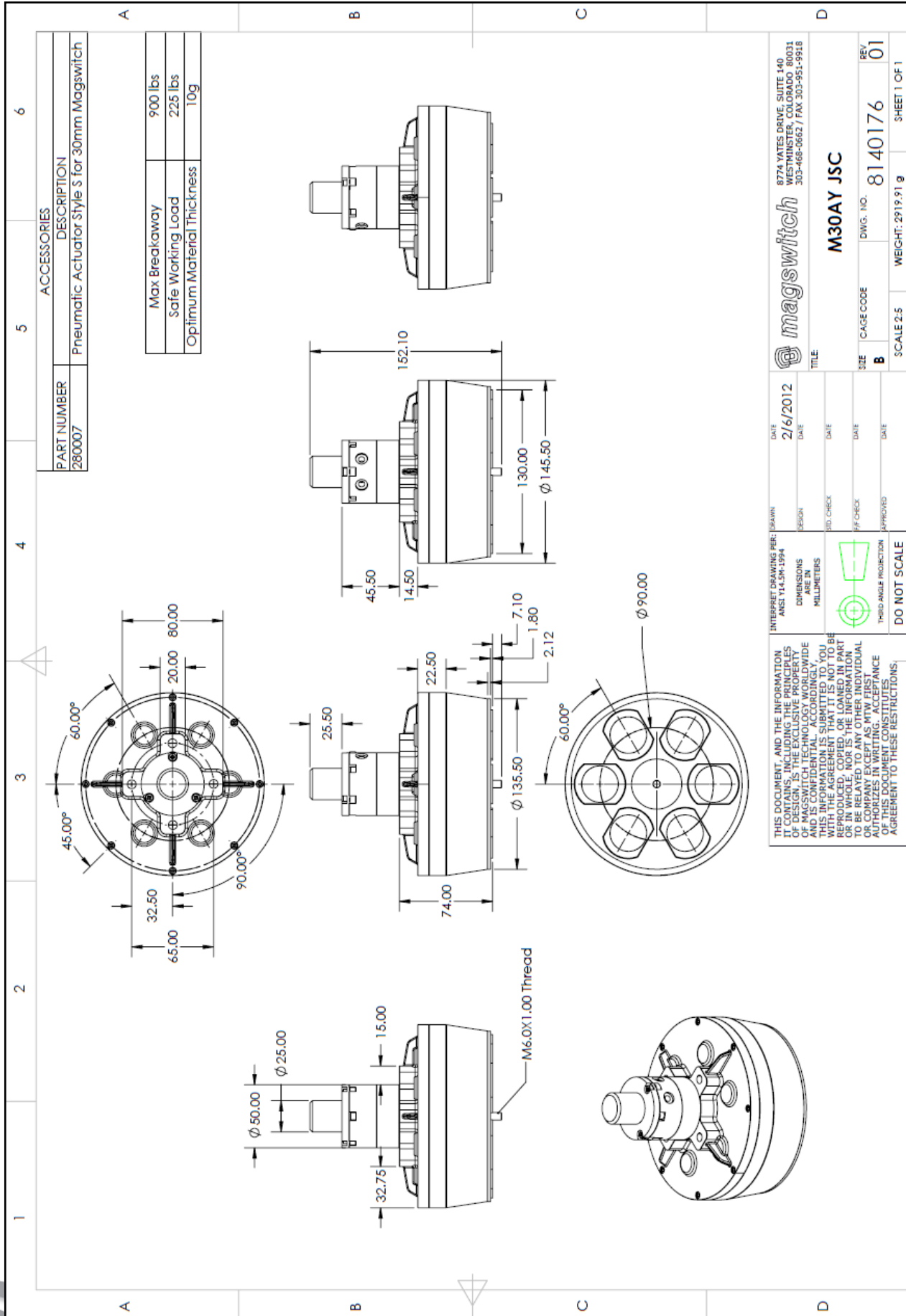
Actuation Vs. Material Thickness



* Max Breakaway determined in laboratory environment on 2" thick SAE1018 Steel with surface roughness 63 micro inches. Many factors contribute to the actual breakaway force in each application. Always test the magswitch in each application before deployment. Refer to the magswitch information booklet for more information.



Part Number 110645
Revision Date: March 13, 2012



Part Number 110645
 Revision Date: March 13, 2012