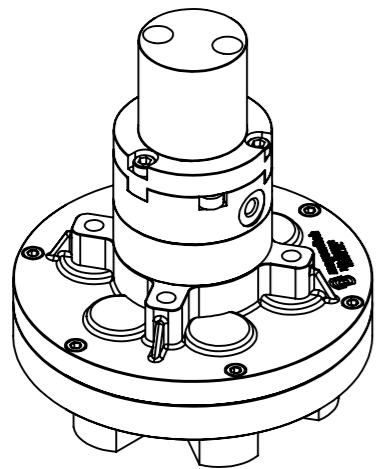
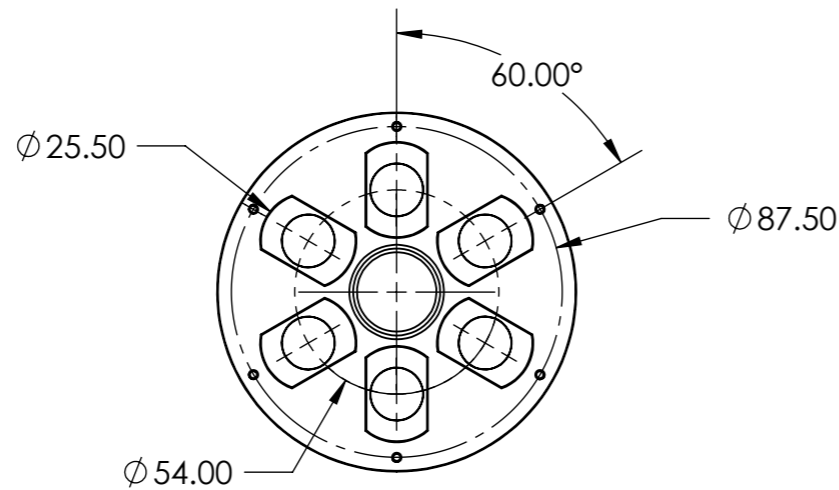
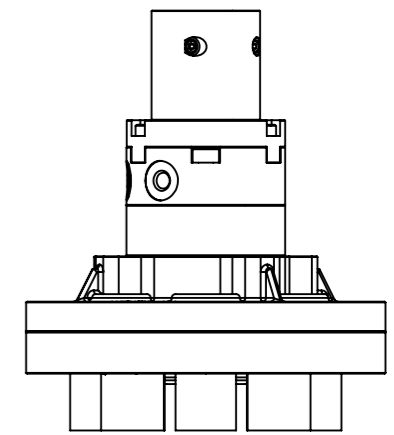
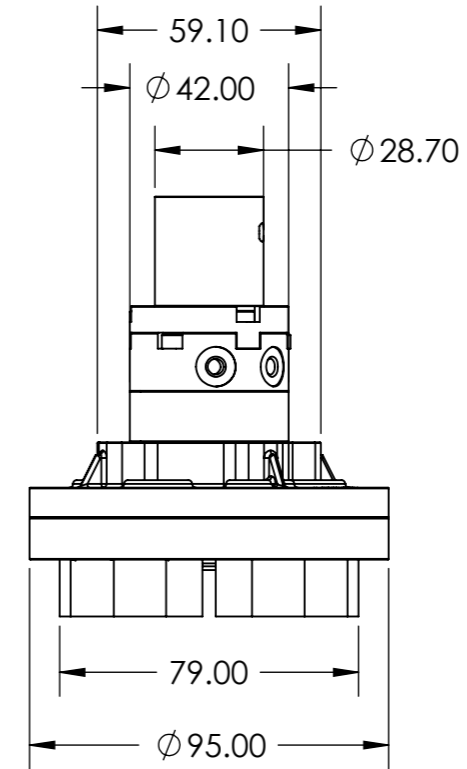
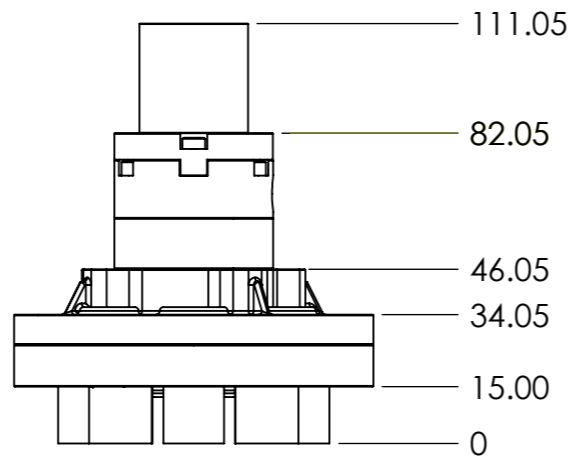
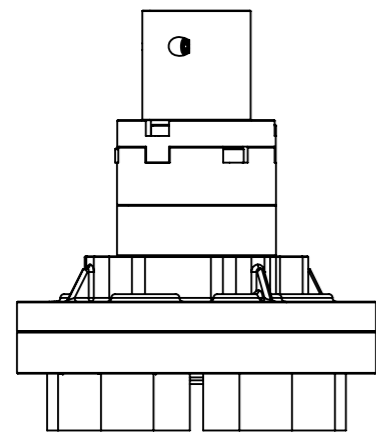
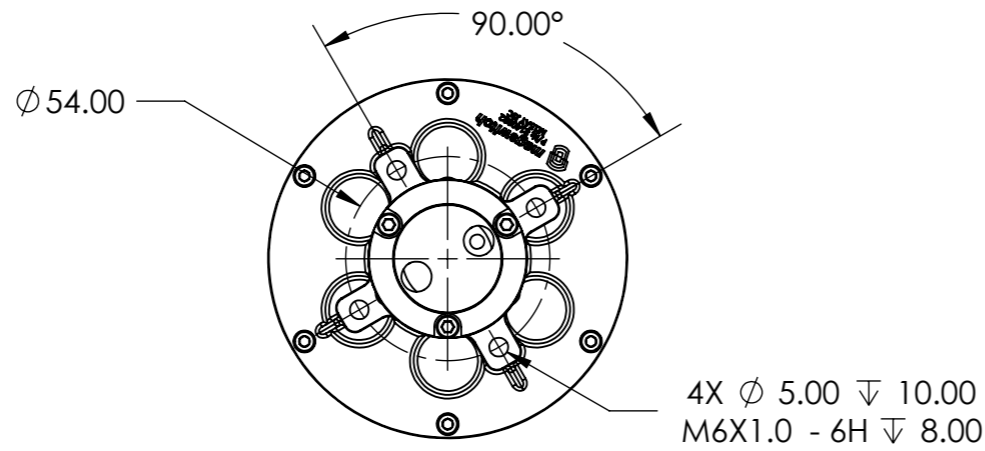


ACCESSORIES	
PART NUMBER	DESCRIPTION
600138	Class A Boots

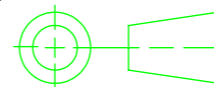
Max Breakaway	190 lbs / 86.4 kg
Working Load 4:1	47 lbs / 21.4 kg
Minimum Thickness for De-Stack	9ga / 3.8 mm



THIS DOCUMENT, AND THE INFORMATION IT CONTAINS, INCLUDING THE PRINCIPLES OF DESIGN, IS THE EXCLUSIVE PROPERTY OF MAGSWITCH TECHNOLOGY WORLDWIDE AND IS CONFIDENTIAL. ACCORDINGLY, THIS INFORMATION IS SUBMITTED TO YOU WITH THE AGREEMENT THAT IT IS NOT TO BE REPRODUCED, COPIED, OR LOANED IN PART OR IN WHOLE, NOR IS THE INFORMATION TO BE RELAYED TO ANY OTHER INDIVIDUAL OR COMPANY EXCEPT AS MTW FIRST AUTHORIZES IN WRITING. ACCEPTANCE OF THIS DOCUMENT CONSTITUTES AGREEMENT TO THESE RESTRICTIONS.

INTERPRET DRAWING PER:
 ANSI Y14.5M-1994

DIMENSIONS
 ARE IN
 MILLIMETERS



THIRD ANGLE PROJECTION

DO NOT SCALE

DRAWN

DATE

9/6/2013

DESIGN

DATE

STD. CHECK

DATE

F/F CHECK

DATE

APPROVED

DATE



8774 YATES DRIVE, SUITE 140
 WESTMINSTER, COLORADO 80031
 303-468-0662 / FAX 303-951-9918

TITLE:

M15AY JSC

SIZE

CAGE CODE

DWG. NO.

8140332

REV

06

SCALE 1:2

WEIGHT: g

SHEET 1 OF 1