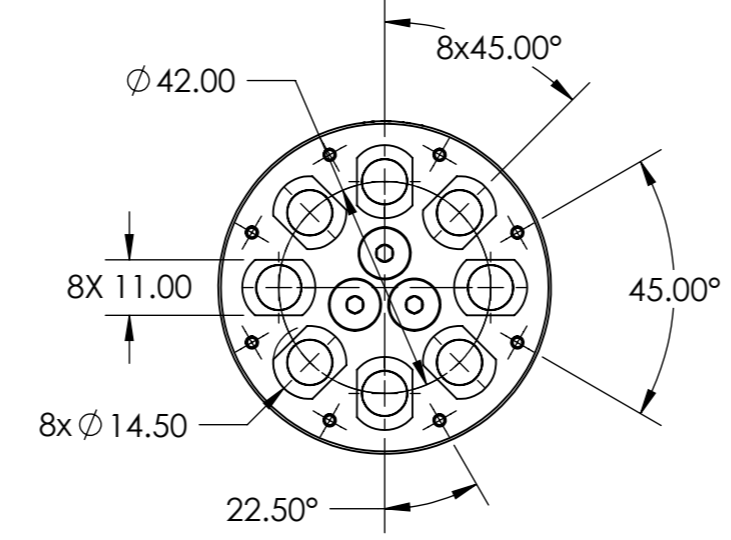
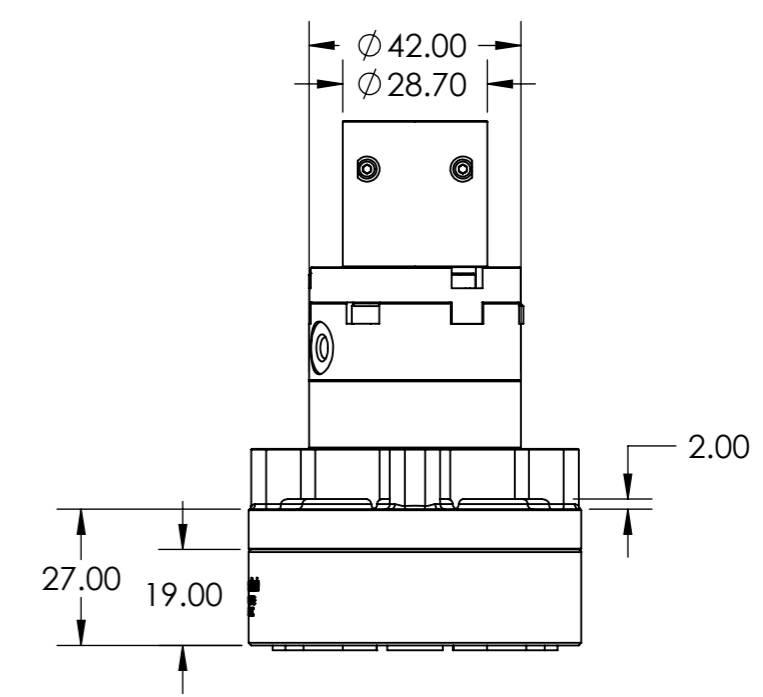
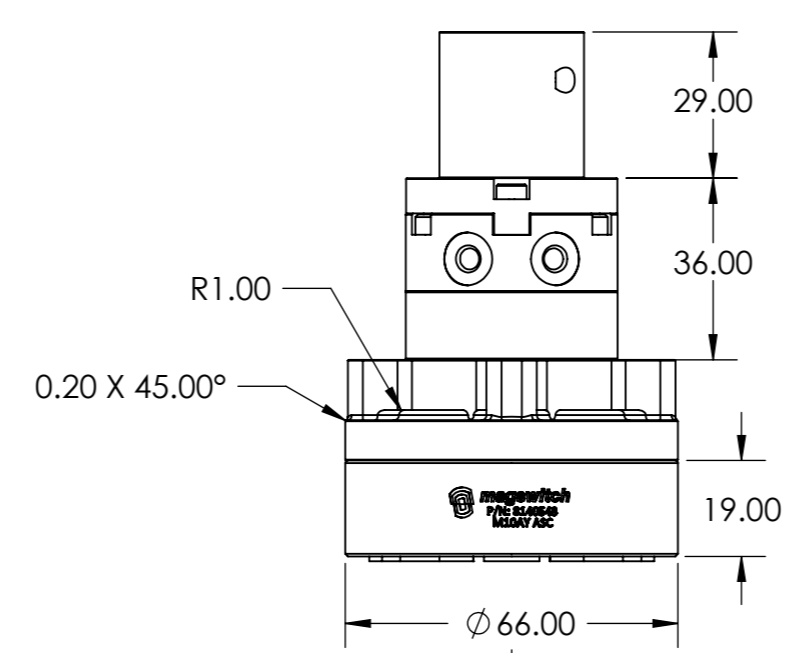
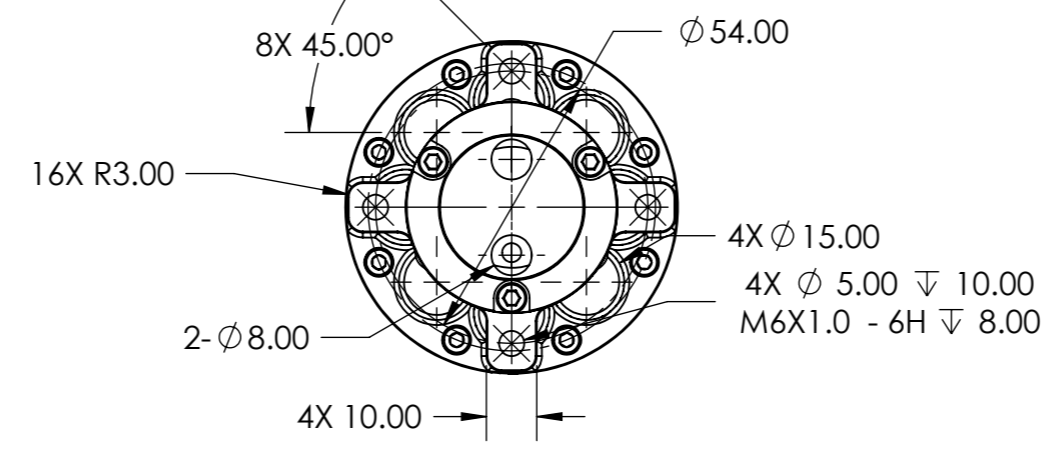
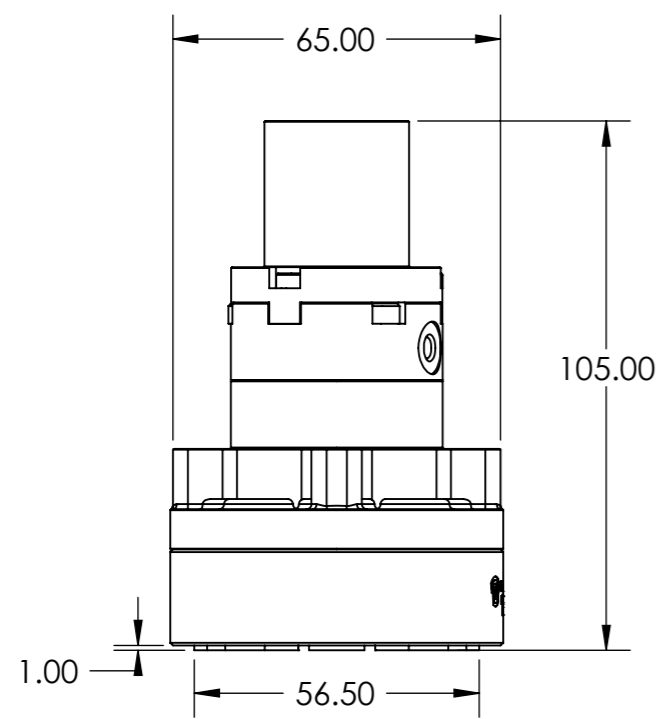


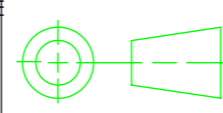
| | |
|--------------------------------|------------------|
| Max Breakaway | 53 lbs/24.1 kg |
| Working Load 4:1 | 13.25 lbs/ 6.0kg |
| Minimum Thickness for De-Stack | 20 ga/1 mm |




NOTES: UNLESS OTHERWISE SPECIFIED

- INSPECT (ST) DIMENSIONS PER ISO 2768-M
- 1° DRAFT ALLOWED FOR CASTING
- REMOVE ALL BURRS AND BREAK SHARP EDGES.
- IF CAST, TUMBLE DEBUR AFTER CASTING
- FOR GENERAL DIMENSIONS NOT SPECIFIED SEE 3D CAD DATA
- SURFACE ROUGHNESS

THIS DOCUMENT, AND THE INFORMATION IT CONTAINS, INCLUDING THE PRINCIPLES OF DESIGN, IS THE EXCLUSIVE PROPERTY OF MAGSWITCH TECHNOLOGY WORLDWIDE AND IS CONFIDENTIAL. ACCORDINGLY, THIS INFORMATION IS SUBMITTED TO YOU WITH THE AGREEMENT THAT IT IS NOT TO BE REPRODUCED, COPIED, OR LOANED IN PART OR IN WHOLE, NOR IS THE INFORMATION TO BE RELAYED TO ANY OTHER INDIVIDUAL OR COMPANY EXCEPT AS MTW FIRST AUTHORIZES IN WRITING. ACCEPTANCE OF THIS DOCUMENT CONSTITUTES AGREEMENT TO THESE RESTRICTIONS.

| | | |
|--|------------|------------------|
| INTERPRET DRAWING PER: ISO 2768-M | DRAWN | DATE 9/6/2013 |
| DIMENSIONS ARE IN MILLIMETERS | DESIGN | DATE |
|  THIRD ANGLE PROJECTION DO NOT SCALE | STD. CHECK | DATE |
| | F/F CHECK | DATE |
| | APPROVED | DATE |

 8774 YATES DRIVE, SUITE 140
WESTMINSTER, COLORADO 80031
303-468-0662 / FAX 303-951-9918

TITLE: **M10AY ASC**

| | | | |
|------------------|-----------|----------------------------|------------------|
| SIZE B | CAGE CODE | DWG. NO. 8140543 | REV 07 |
| SCALE 2:3 | | WEIGHT: g | SHEET 1 OF 1 |