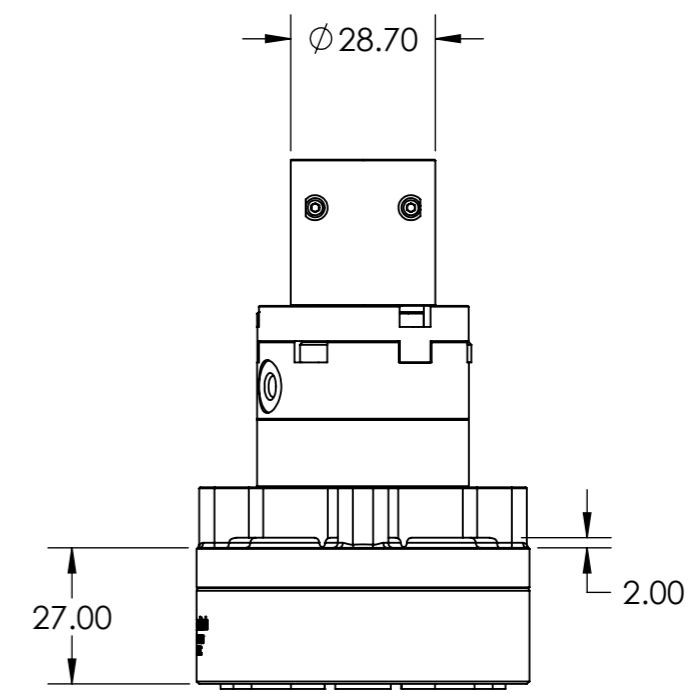


Max Breakaway	54.0 lbs/24.5 kg
Working Load 4:1	13.5 lbs/6.1 kg
Minimum Thickness for De-Stack	14ga / 1.9mm



NOTES: UNLESS OTHERWISE SPECIFIED

- INSPECT (ST) DIMENSIONS PER ISO 2768-M
- 1° DRAFT ALLOWED FOR CASTING
- REMOVE ALL BURRS AND BREAK SHARP EDGES.
- IF CAST, TUMBLE DEBUR AFTER CASTING
- FOR GENERAL DIMENSIONS NOT SPECIFIED SEE 3D CAD DATA
- SURFACE ROUGHNESS

THIS DOCUMENT, AND THE INFORMATION IT CONTAINS, INCLUDING THE PRINCIPLES OF DESIGN, IS THE EXCLUSIVE PROPERTY OF MAGSWITCH TECHNOLOGY WORLDWIDE AND IS CONFIDENTIAL. ACCORDINGLY, THIS INFORMATION IS SUBMITTED TO YOU WITH THE AGREEMENT THAT IT IS NOT TO BE REPRODUCED, COPIED, OR LOANED IN PART OR IN WHOLE, NOR IS THE INFORMATION TO BE RELAYED TO ANY OTHER INDIVIDUAL OR COMPANY EXCEPT AS MTW FIRST AUTHORIZES IN WRITING. ACCEPTANCE OF THIS DOCUMENT CONSTITUTES AGREEMENT TO THESE RESTRICTIONS.

INTERPRET DRAWING PER: ISO 2768-M	DRAWN	DATE 9/9/2013
DIMENSIONS ARE IN MILLIMETERS	DESIGN	DATE
 THIRD ANGLE PROJECTION DO NOT SCALE	STD. CHECK	DATE
	F/F CHECK	DATE
	APPROVED	DATE

8774 YATES DRIVE, SUITE 140
 WESTMINSTER, COLORADO 80031
 303-468-0662 / FAX 303-951-9918

TITLE: **M10AY JSC**

SIZE B	CAGE CODE	DWG. NO. 8140550	REV 06
SCALE 2:3		WEIGHT: g	SHEET 1 OF 1