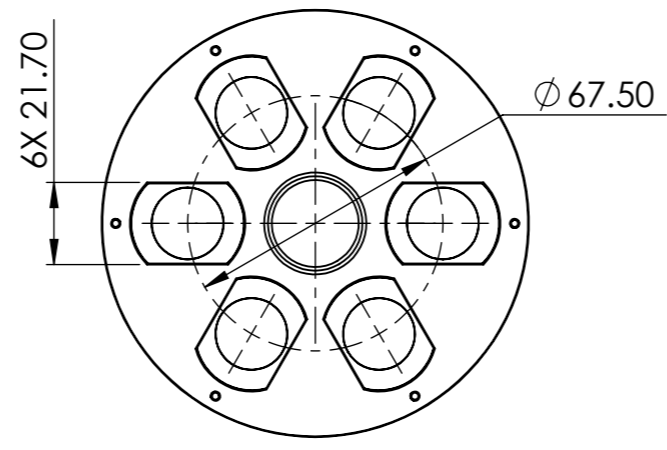
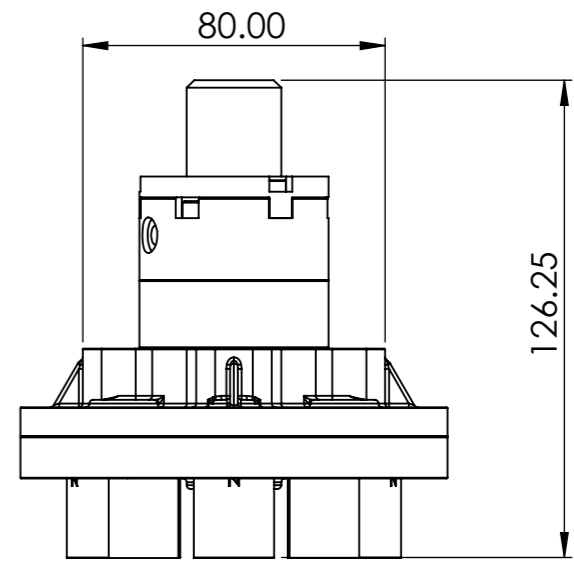
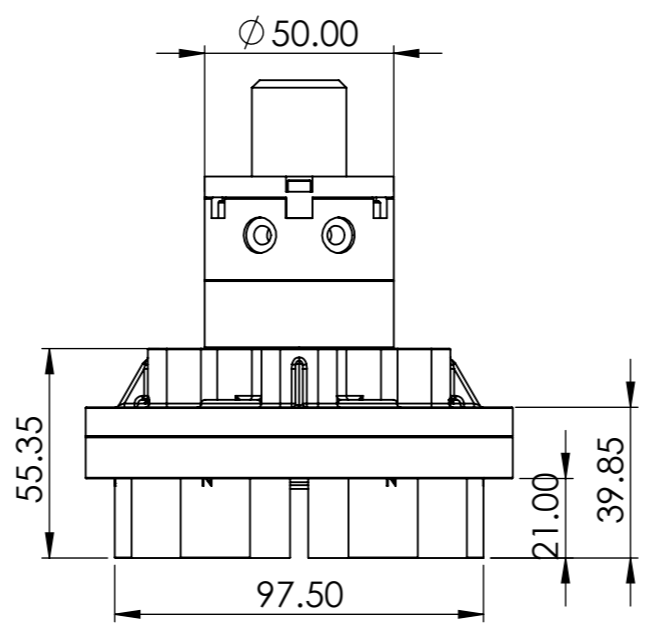
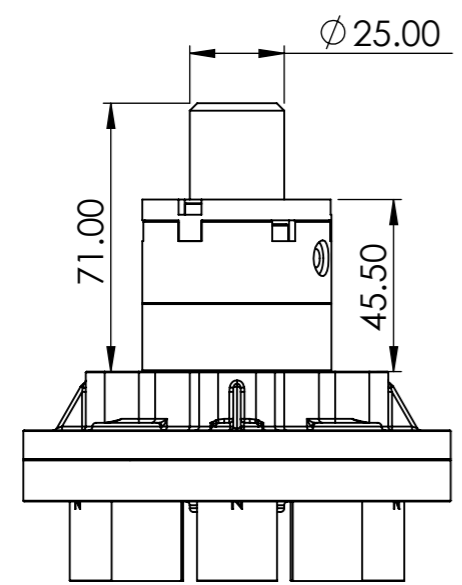
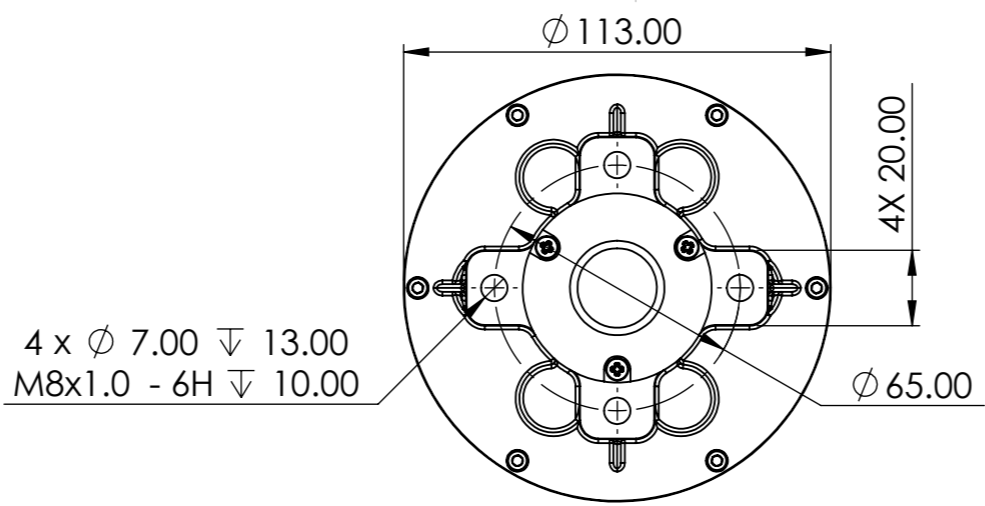


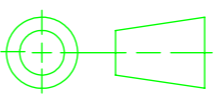
Max Breakaway	385.4 lbs/ 175.2 kg
Working Load 4:1	96.35 lbs/ 43.8 kg
Optimum Material Thickness	3/16" / 4.76mm




NOTES: UNLESS OTHERWISE SPECIFIED

- INSPECT ST DIMENSIONS PER ISO 2768-M
- 1° DRAFT ALLOWED FOR CASTING
- REMOVE ALL BURRS AND BREAK SHARP EDGES.
- IF CAST, TUMBLE DEBUR AFTER CASTING
- FOR GENERAL DIMENSIONS NOT SPECIFIED SEE 3D CAD DATA
- SURFACE ROUGHNESS

THIS DOCUMENT, AND THE INFORMATION IT CONTAINS, INCLUDING THE PRINCIPLES OF DESIGN, IS THE EXCLUSIVE PROPERTY OF MAGSWITCH TECHNOLOGY WORLDWIDE AND IS CONFIDENTIAL. ACCORDINGLY, THIS INFORMATION IS SUBMITTED TO YOU WITH THE AGREEMENT THAT IT IS NOT TO BE REPRODUCED, COPIED, OR LOANED IN PART OR IN WHOLE, NOR IS THE INFORMATION TO BE RELAYED TO ANY OTHER INDIVIDUAL OR COMPANY EXCEPT AS MTW FIRST AUTHORIZES IN WRITING. ACCEPTANCE OF THIS DOCUMENT CONSTITUTES AGREEMENT TO THESE RESTRICTIONS.

INTERPRET DRAWING PER: ISO 2768-M	DRAWN	DATE 7/29/2013
DIMENSIONS ARE IN MILLIMETERS	DESIGN	DATE
 THIRD ANGLE PROJECTION <b>DO NOT SCALE</b>	STD. CHECK	DATE
	F/F CHECK	DATE
	APPROVED	DATE

 8774 YATES DRIVE, SUITE 140  
WESTMINSTER, COLORADO 80031  
303-468-0662 / FAX 303-951-9918

TITLE: **M20AY ASC**

SIZE <b>B</b>	CAGE CODE	DWG. NO. <b>8140591</b>	REV <b>03</b>
SCALE 1:2		WEIGHT: g	SHEET 1 OF 1