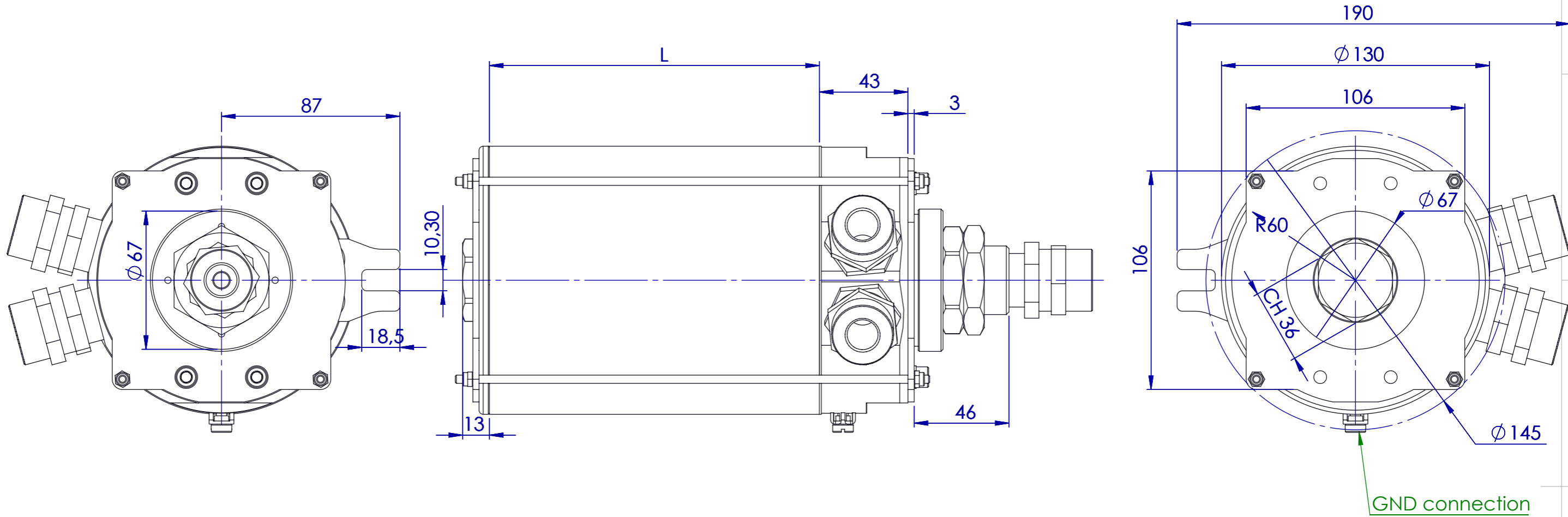


All rights strictly reserved.
 Reproduction or issue to third parties in any form whatever is not permitted without written authority from the property

Tutti i diritti sono strettamente riservati. La riproduzione o la comunicazione a terzi è vietata in qualunque forma senza autorizzazione scritta della proprietà



	Total	Power	L
		20A	
SVTS G 02-V-A-04/00	4	4	80
SVTS G 02-V-A-06/00	6	6	80
SVTS G 02-V-A-12/00	12	12	80
SVTS G 02-V-A-16/00	16	16	160
SVTS G 02-V-A-18/00	18	18	160
SVTS G 02-V-A-24/00	24	24	160
SVTS G 02-V-A-30/00	30	30	140
SVTS G 02-V-A-36/00	36	36	240
SVTS G 02-V-A-42/00	42	42	240
SVTS G 02-V-A-50/00	50	50	240

	Power Rings
Amper cont.	20A
Voltage	680Vac/680Vdc
Leads AWG	2,5mm ²
Contact material	precious metals
Dielectric strength	2000VAC@60Hz,60s
Insulation resistance	≥1000MΩ/500VDC
Max rotation speed	100RPM
Temperature	-40°C~+60°C
Housing material	anodized aluminum
Protection degree	IP66
Bearings	steel ball bearings
ATEX	II 2G Exd IIB IIC T5 Gb

TRATTAMENTO TREATMENT:	4												
	3												
	2												
	1	01/06/2016	Aggiornamento Part Number										
MATERIALE MATERIAL:	0	17/11/2015	Prima emissione										
	REV. Nr	DATA/DATE	DESCRIZIONE/DESCRIPTION										
	REV. N°												
PESO WEIGHT	<table border="1"> <tr> <td>Tolleranze/Tolerances UNI EN 22768-1</td> <td></td> </tr> <tr> <td>FINE</td> <td></td> </tr> <tr> <td>MEDIA</td> <td>x</td> </tr> <tr> <td>GROSSOLANA</td> <td></td> </tr> <tr> <td>MOLTO GROSSOLANA</td> <td></td> </tr> </table>	Tolleranze/Tolerances UNI EN 22768-1		FINE		MEDIA	x	GROSSOLANA		MOLTO GROSSOLANA		TITLE - TITOLO SVTS G 02	
Tolleranze/Tolerances UNI EN 22768-1													
FINE													
MEDIA	x												
GROSSOLANA													
MOLTO GROSSOLANA													
	DATE DATA	17/11/2015	SH. FG. 1										
	CHECK CONTR.	AG	DRAW. DIS. AG										
	FORM	A3											
DRAWING Nr. - DISEGNO N° 000-107													
CODICE SERVOTECNICA -													
PROPERTY PROPRIETÀ: SERVOTECNICA S.P.A. - VIA MAJORANA,4 - NOVA MILANESE(MB) - www.servotecnica.com													

