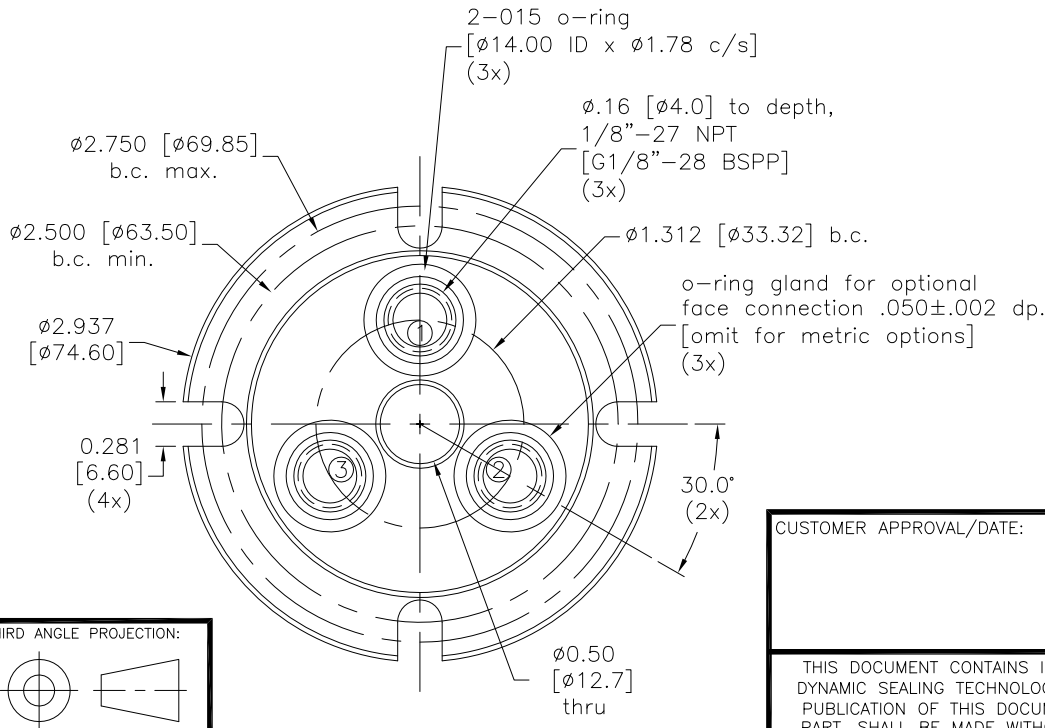
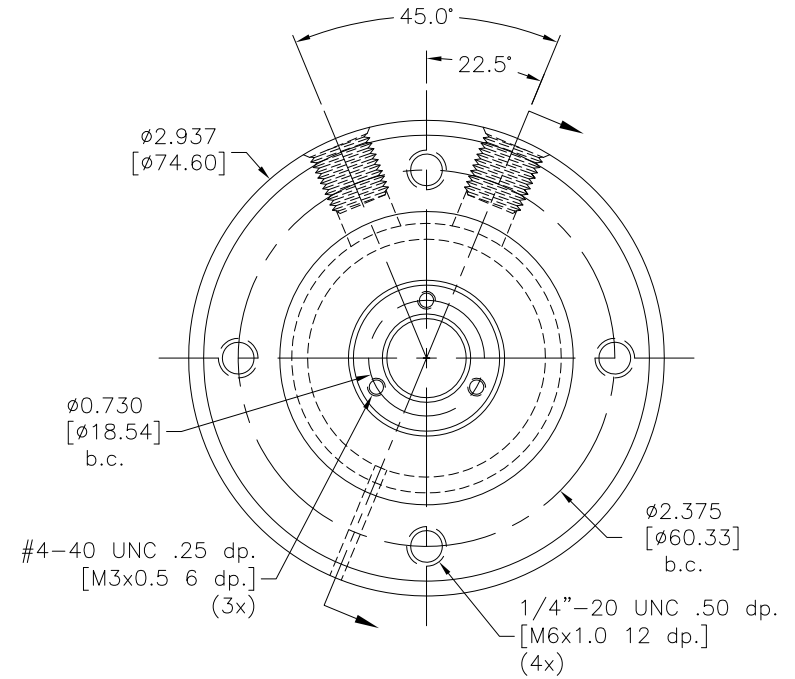
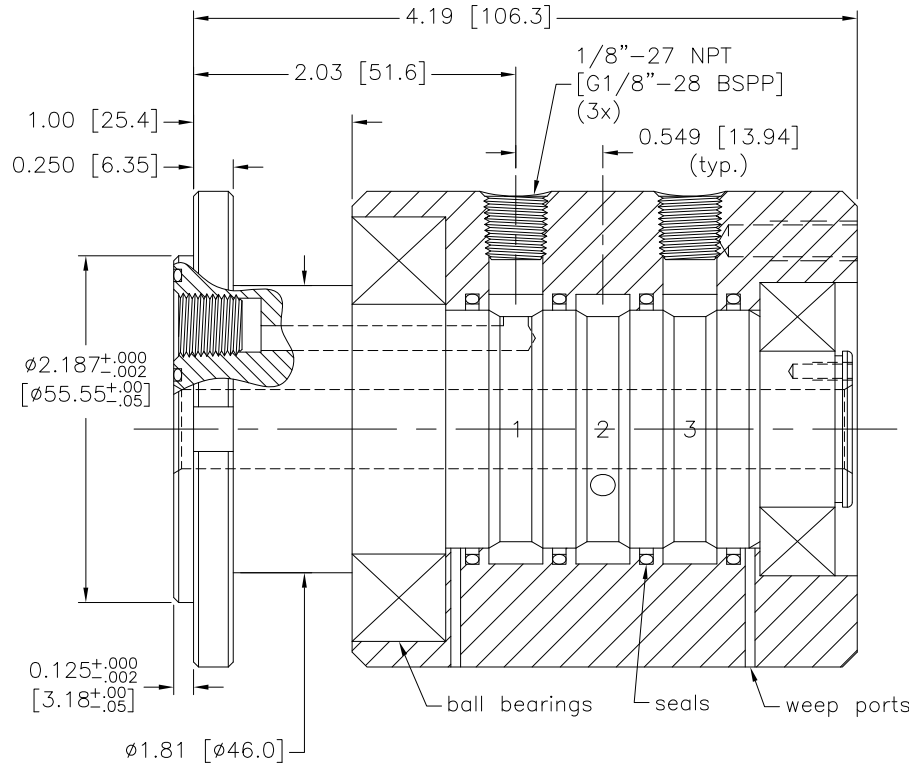


Rev:	Date	By	Chk	Description
A.1	2/25/13	PJE	AKH	ECO 0024



Notes:

1. Union will be rotated for seal break-in and static air tested.
2. Media must be filtered, clean and free of abrasive content or reduced union life will result.
3. Stainless steel union construction available by using GPS in place of GP in the series designation prefix.
4. Metric connections and threads available by using GPM in place of GP in the series designation prefix.
5. Stainless steel union construction and metric connections/threads available by using GPSM in place of GP in the series designation prefix.
6. See SHEET 2 for product options.

Drawn	JSM	1/20/02
Checked	PJE	2/10/06
Checked	PJE	4/18/08

TOLERANCE EXCEPT AS NOTED	
X.X	±.125
X.XX	±.015
X.XXX	±.005
ANGLES	± 0.5°



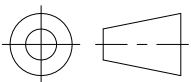
CUSTOMER APPROVAL/DATE:

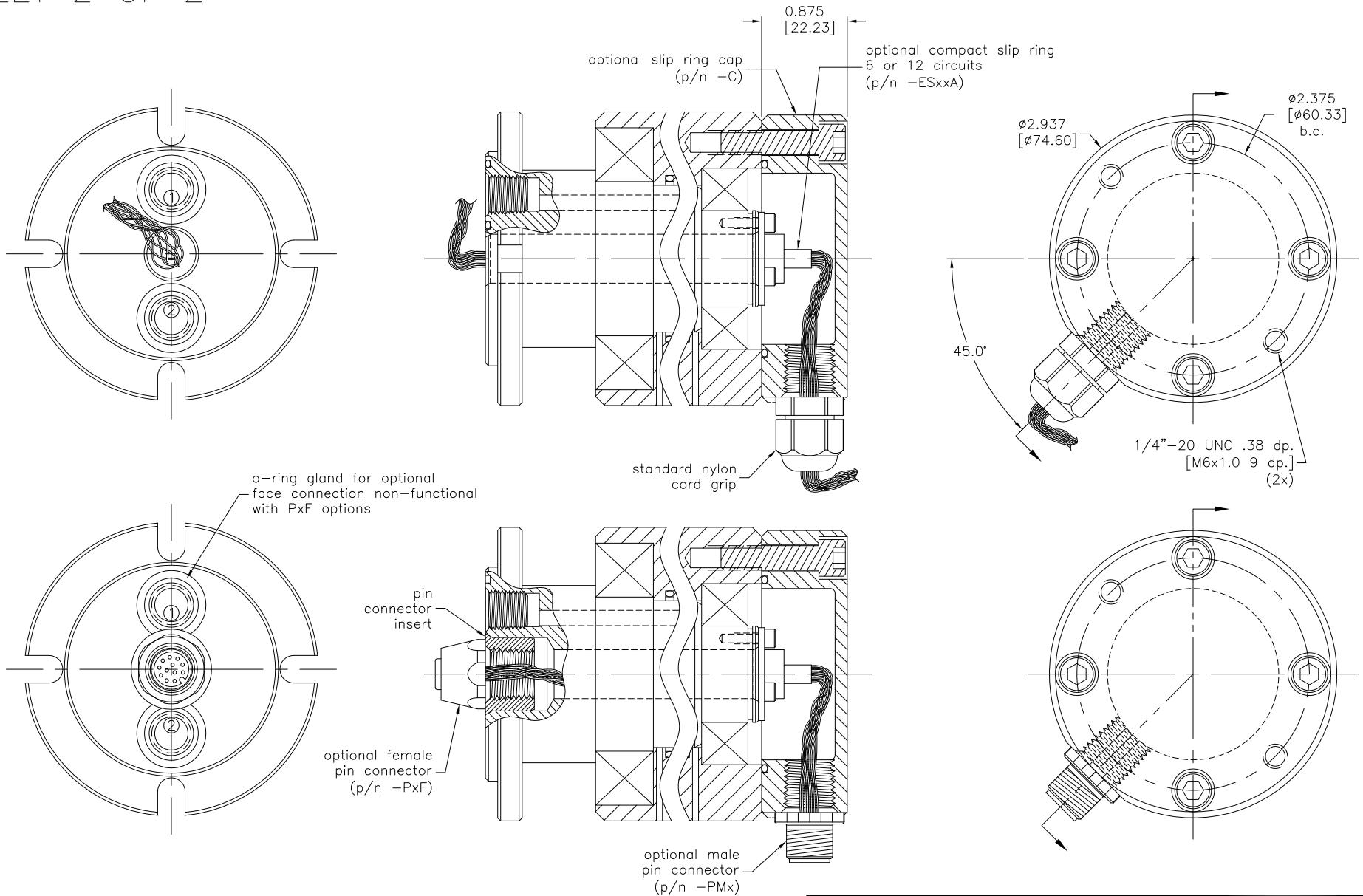
THIS DOCUMENT CONTAINS INFORMATION WHICH IS PROPRIETARY TO DYNAMIC SEALING TECHNOLOGIES, INC. (DSTI) NO REPRODUCTION OR PUBLICATION OF THIS DOCUMENT OR IT'S CONTENTS, IN WHOLE OR PART, SHALL BE MADE WITHOUT THE WRITTEN CONSENT FROM DSTI.

SHAFT MTL/PLTING:	
CARBON STL / 60-62 Rc	17-4 SSSL / 40-47 Rc
BLK OXIDE	TDC
HOUSING MTL/PLTING:	
CARBON STL / BLK OXIDE	303 SSSL

CUSTOMER:	STOCK
P/N:	GP(S)(M)-131
REV:	A.1

THIRD ANGLE PROJECTION:





- Notes:**
 1. Optional male AND female pin connector (p/n -PMF).
 2. Contact DSTI for details about slip rings and pin connectors.

Drawn	PJE	1/20/06
Checked	PJE	4/18/08
Checked	PJE	9/13/12

TOLERANCE EXCEPT AS NOTED	
X.X	±.125
X.XX	±.015
X.XXX	±.005
ANGLES	± 0.5°

CUSTOMER APPROVAL/DATE:

CAP MTL/PLTING:
 ALUM
 BLUE ANODIZE

PIN CONNECTOR
 INSERT MTL/PLTING:
 ALUM
 BLUE ANODIZE

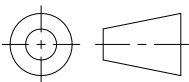


CUSTOMER:
 STOCK OPTIONS

P/N:
 GP(S)(M)-131

REV:
 A.1

THIRD ANGLE PROJECTION:



THIS DOCUMENT CONTAINS INFORMATION WHICH IS PROPRIETARY TO DYNAMIC SEALING TECHNOLOGIES, INC. (DSTI) NO REPRODUCTION OR PUBLICATION OF THIS DOCUMENT OR IT'S CONTENTS, IN WHOLE OR PART, SHALL BE MADE WITHOUT THE WRITTEN CONSENT FROM DSTI.