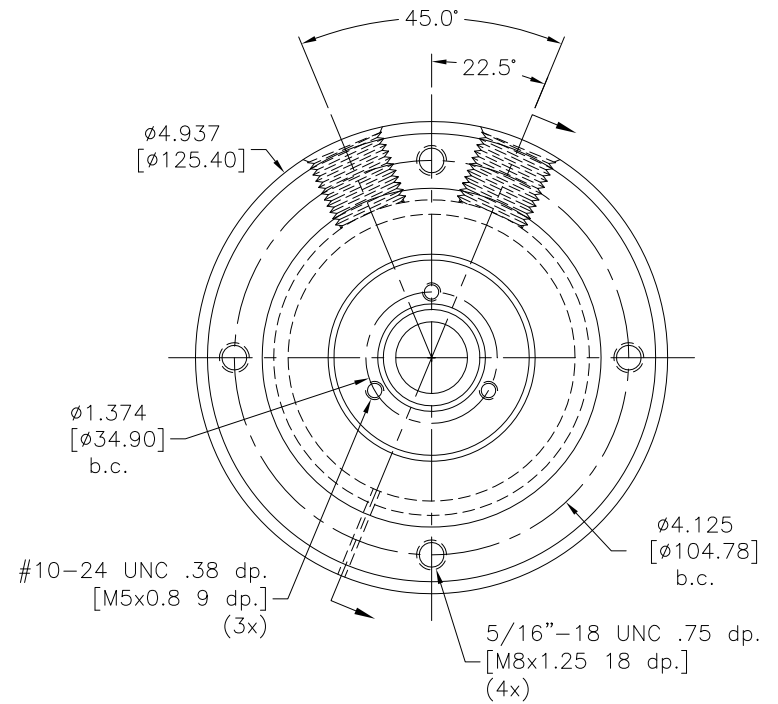
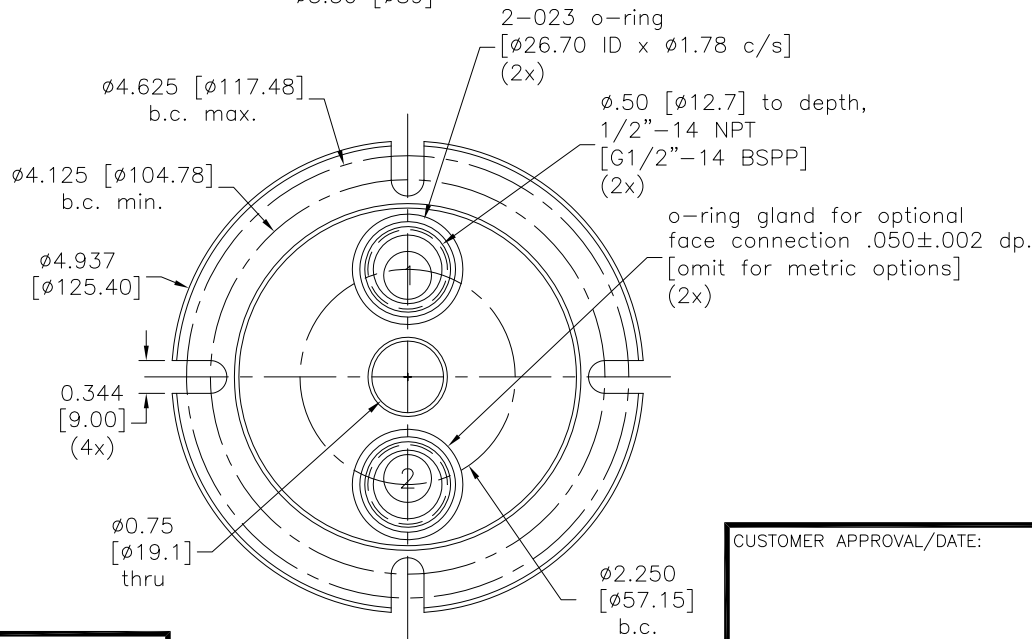
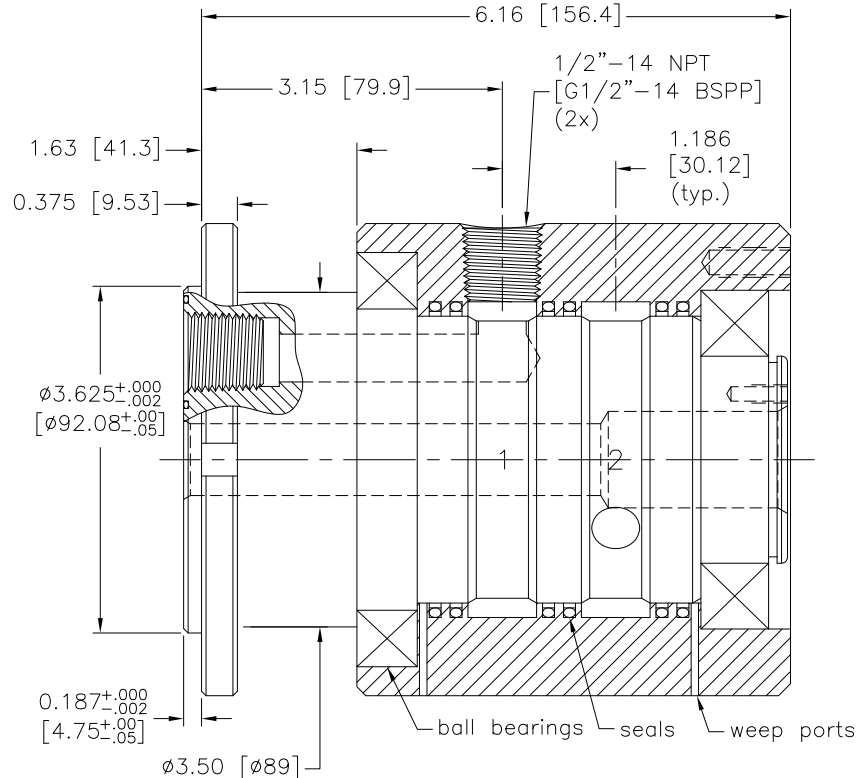


Rev:	Date	By	Chk	Description
A.1	11/23/12	PJE	RAW	ECO 0024



Notes:

1. Union will be rotated for seal break-in and static air tested.
2. Media must be filtered, clean and free of abrasive content or reduced union life will result.
3. Stainless steel union construction available by using GPS in place of GP in the series designation prefix.
4. Metric connections and threads available by using GPM in place of GP in the series designation prefix.
5. Stainless steel union construction and metric connections/threads available by using GPMS in place of GP in the series designation prefix.
6. See SHEETS 2 and 3 for product options.

Drawn	JSM	1/20/02
Checked	PJE	2/10/06
Checked	PJE	4/21/08

TOLERANCE EXCEPT AS NOTED	
X.X	±.125
X.XX	±.015
X.XXX	±.005
ANGLES	± 0.5°



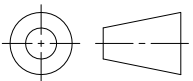
CUSTOMER APPROVAL/DATE:

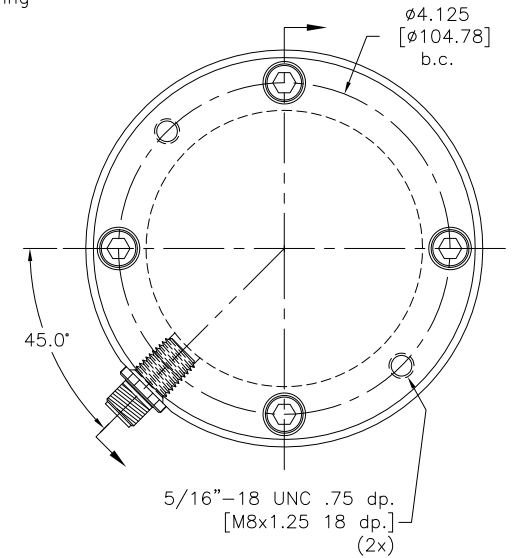
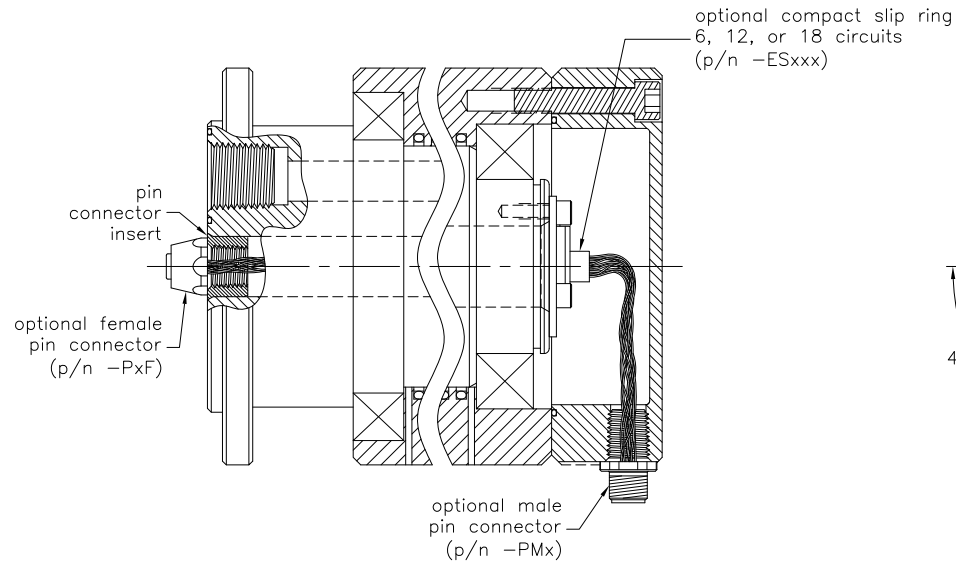
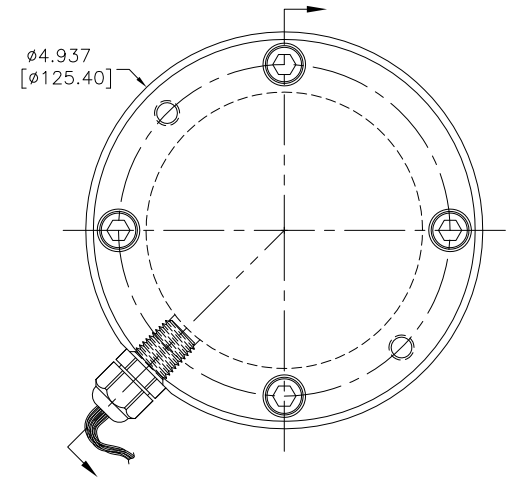
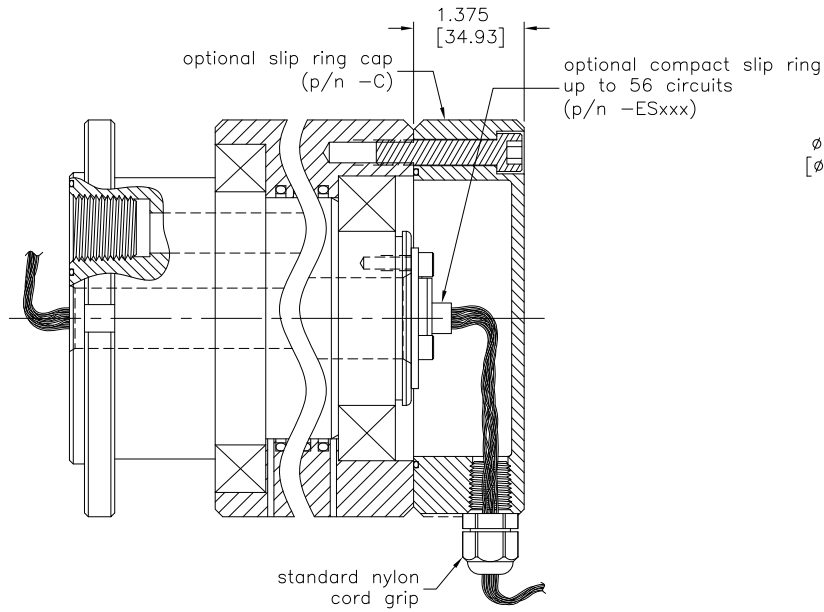
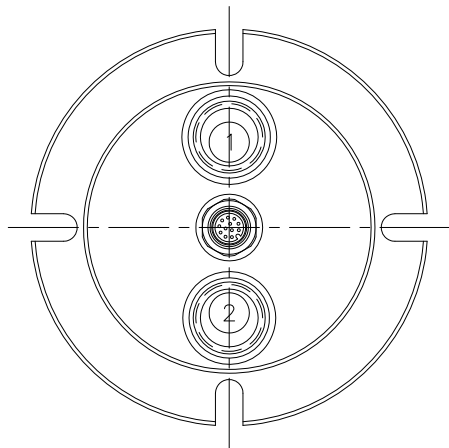
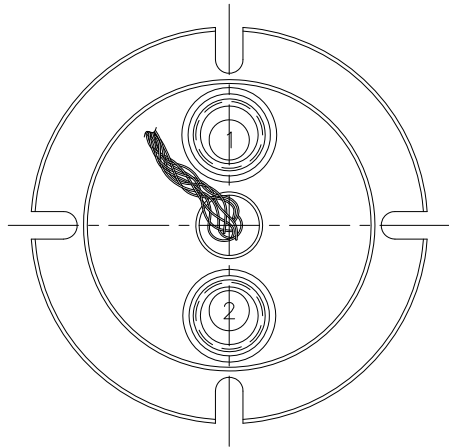
THIS DOCUMENT CONTAINS INFORMATION WHICH IS PROPRIETARY TO DYNAMIC SEALING TECHNOLOGIES, INC. (DSTI) NO REPRODUCTION OR PUBLICATION OF THIS DOCUMENT OR IT'S CONTENTS, IN WHOLE OR PART, SHALL BE MADE WITHOUT THE WRITTEN CONSENT FROM DSTI.

SHAFT MTL/PLTING:	CARBON STL / 17-4 SSSL
	60-62 Rc / 40-47 Rc
	BLK OXIDE / TDC
HOUSING MTL/PLTING:	CARBON STL / 303 SSSL
	BLK OXIDE /

CUSTOMER:	STOCK
P/N:	GP(S)(M)-421
REV:	A.1

THIRD ANGLE PROJECTION:





Notes:

- Optional male AND female pin connector (p/n -PMF).
- Contact DSTI for details about slip rings and pin connectors.

Drawn	PJE	2/10/06
Checked	PJE	4/21/08
Checked	PJE	11/23/12

TOLERANCE EXCEPT AS NOTED	
X.X	±.125
X.XX	±.015
X.XXX	±.005
ANGLES	± 0.5°

13829 JAY ST NW ~ ANDOVER, MN 55304
866-700-DSTI (3784)

CUSTOMER APPROVAL/DATE:

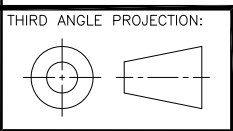
CAP MTL/PLTING:
ALUM
BLUE ANODIZE

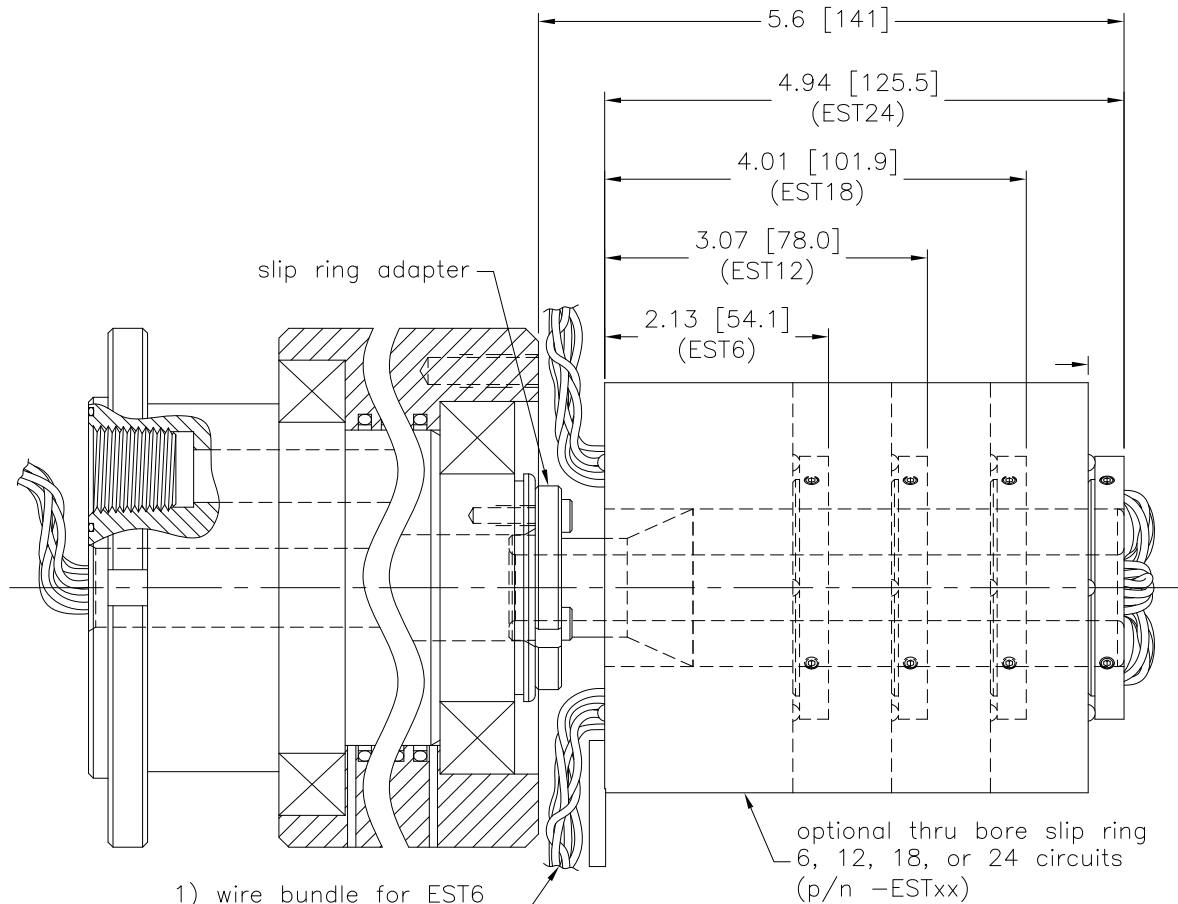
CUSTOMER:
STOCK OPTIONS

THIS DOCUMENT CONTAINS INFORMATION WHICH IS PROPRIETARY TO DYNAMIC SEALING TECHNOLOGIES, INC. (DSTI) NO REPRODUCTION OR PUBLICATION OF THIS DOCUMENT OR IT'S CONTENTS, IN WHOLE OR PART, SHALL BE MADE WITHOUT THE WRITTEN CONSENT FROM DSTI.

PIN CONNECTOR INSERT MTL/PLTING:
ALUM
BLUE ANODIZE

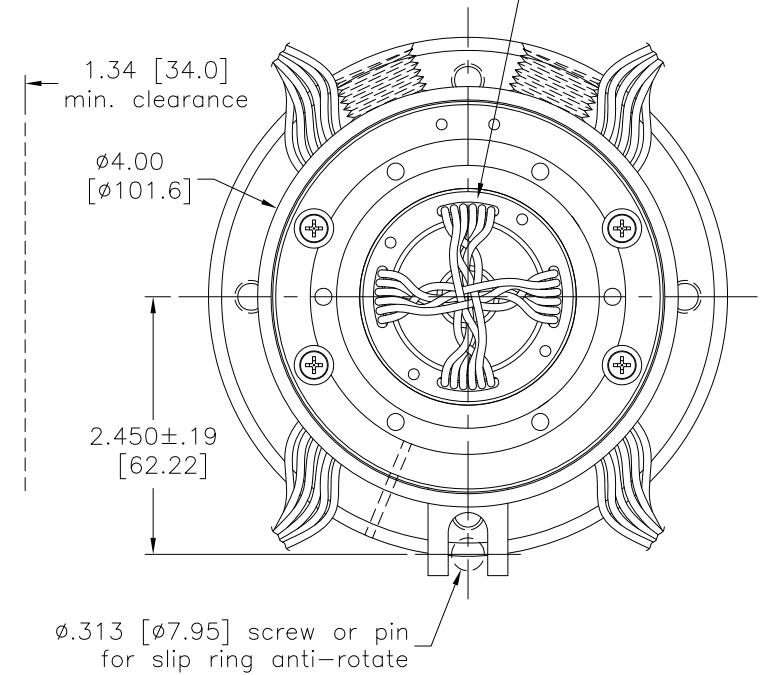
P/N: GP(S)(M)-421
REV: A.1





- 1) wire bundle for EST6
- 2) wire bundles for EST12
- 3) wire bundles for EST18
- 4) wire bundles for EST24

- 1) wire bundle for EST6
- 2) wire bundles for EST12
- 3) wire bundles for EST18
- 4) wire bundles for EST24



Drawn	PJE	8/14/09
Checked	PJE	11/23/12
Checked	-	-

TOLERANCE EXCEPT AS NOTED	
X.X	±.125
X.XX	±.015
X.XXX	±.005
ANGLES	± 0.5°



CUSTOMER APPROVAL/DATE:

THIS DOCUMENT CONTAINS INFORMATION WHICH IS PROPRIETARY TO DYNAMIC SEALING TECHNOLOGIES, INC. (DSTI) NO REPRODUCTION OR PUBLICATION OF THIS DOCUMENT OR IT'S CONTENTS, IN WHOLE OR PART, SHALL BE MADE WITHOUT THE WRITTEN CONSENT FROM DSTI.

ADAPTER MTL/PLTING:
ALUM
BLUE ANODIZE

CUSTOMER:
STOCK OPTIONS

P/N:
GP(S)(M)-421

REV:
A.1

THIRD ANGLE PROJECTION:

