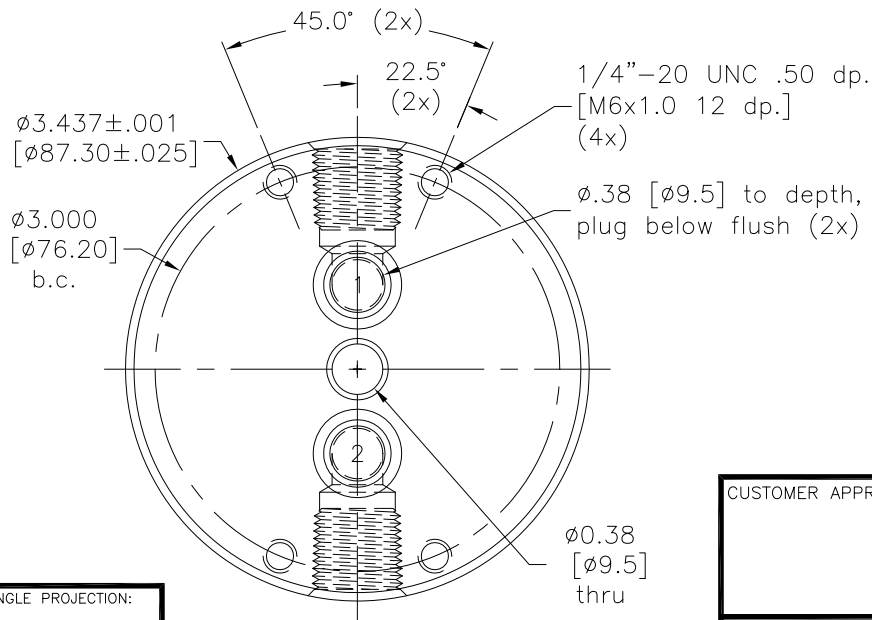
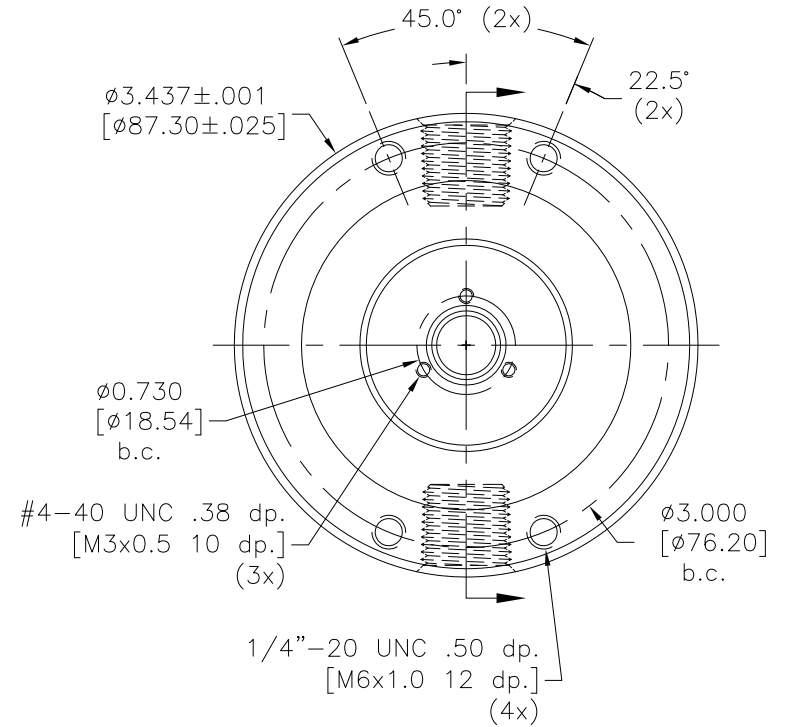
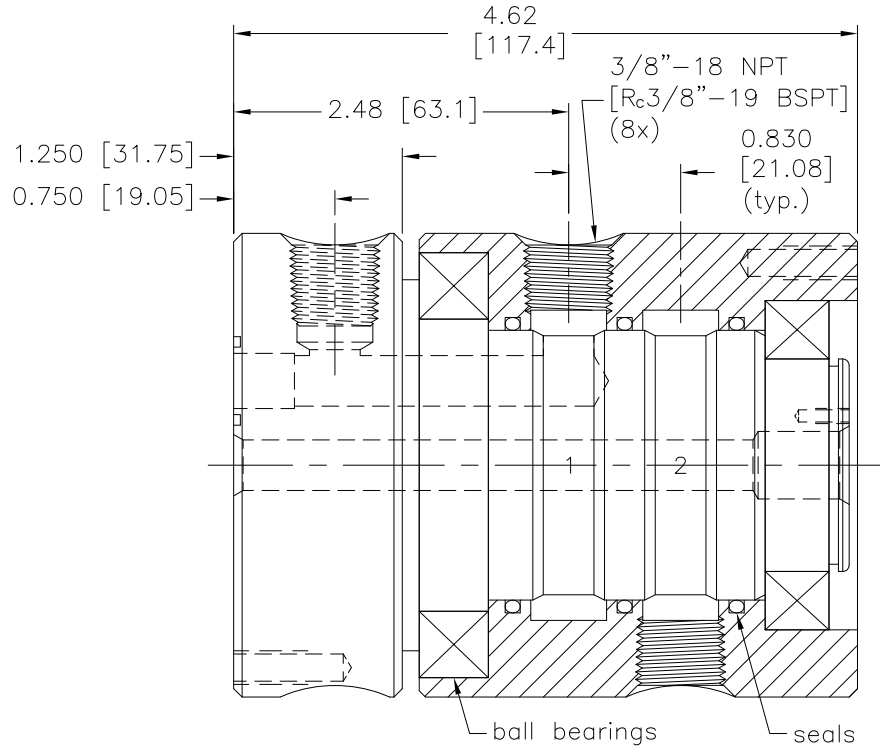
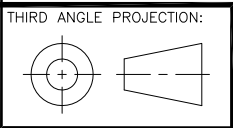


Rev:	Date	By	Chk	Description
A.1	8/29/11	PJE	TCB	Updated title block. Added metric part options.



Notes:

1. Union will be static air tested.
2. Media must be filtered, clean and free of abrasive content or reduced union life will result.
3. Alternate metric units and threads apply to the LTM configurations. See page 2 for details.



Drawn	JSM	6/1/03
Checked	PJE	11/28/05
Checked	PJE	11/18/08

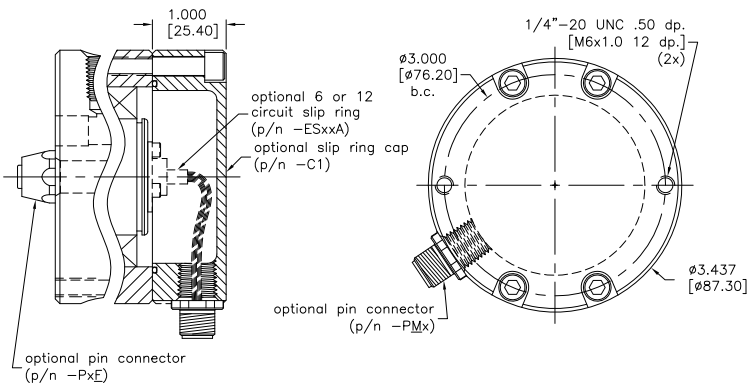
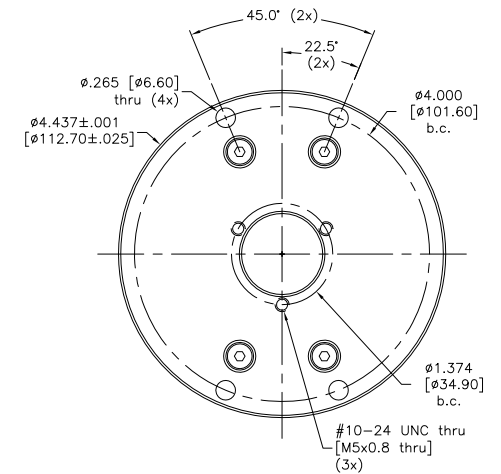
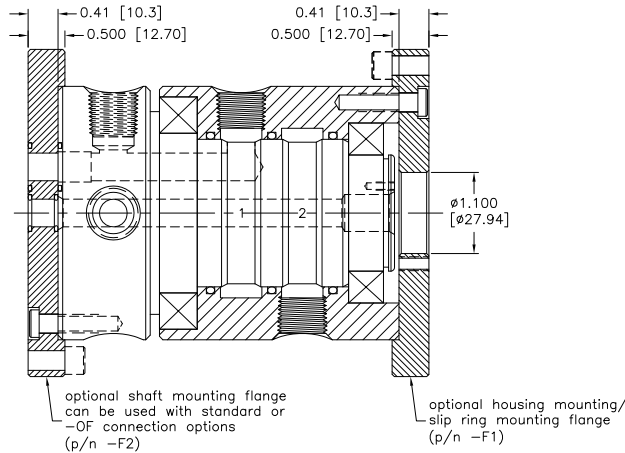
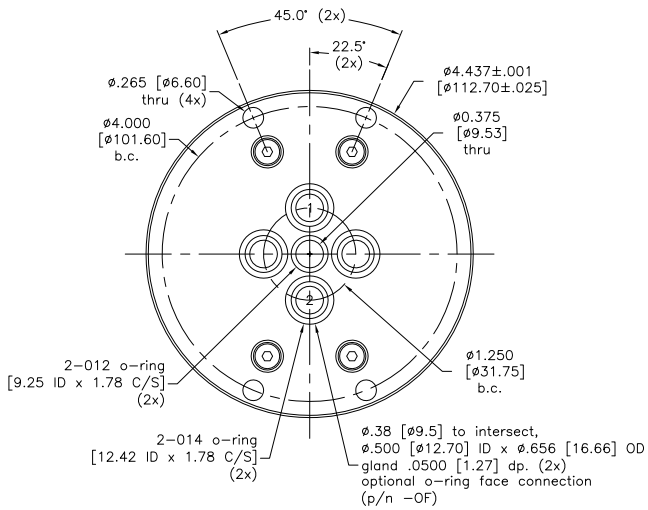
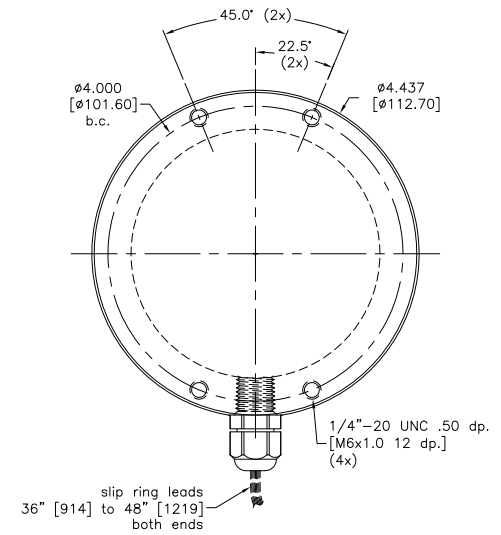
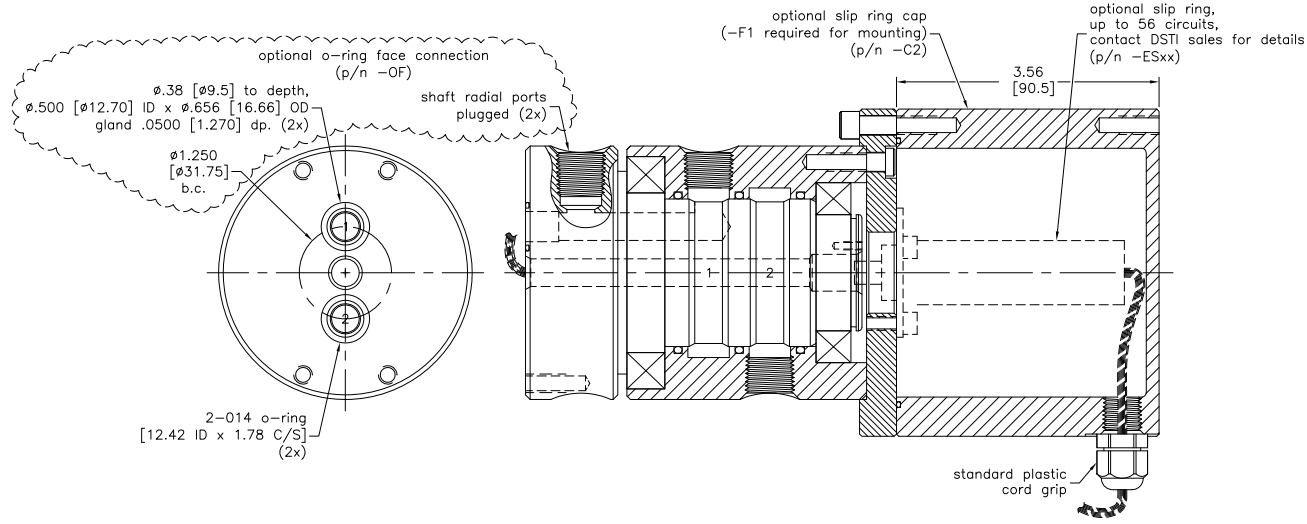
TOLERANCE EXCEPT AS NOTED
X.X ±.125
X.XX ±.015
X.XXX ±.005
ANGLES ± 0.5°

CUSTOMER APPROVAL/DATE:

THIS DOCUMENT CONTAINS INFORMATION WHICH IS PROPRIETARY TO DYNAMIC SEALING TECHNOLOGIES, INC. (DSTI) NO REPRODUCTION OR PUBLICATION OF THIS DOCUMENT OR IT'S CONTENTS, IN WHOLE OR PART, SHALL BE MADE WITHOUT THE WRITTEN CONSENT FROM DSTI.

SHAFT MTL/PLTING:	6061 ALUM E-NICKEL
HOUSING MTL/PLTING:	6061 ALUM BLUE ANNOIDIZE

CUSTOMER:	STOCK
P/N:	LT(M)-2321
REV:	A.1



Notes:

1. Metric connections and threads available by using LTM in place of LT in the series designation prefix.

Drawn	PJE	11/29/05
Checked	PJE	11/18/08
Checked	PJE	8/29/11

TOLERANCE EXCEPT AS NOTED
X.X ±.125
X.XX ±.015
X.XXX ±.005
ANGLES ± 0.5°



CUSTOMER APPROVAL/DATE:

FLANGES MTL/PLTING:  
6061 ALUM  
BLUE ANNOIDIZE

CAPS MTL/PLTING:  
6061 ALUM  
BLUE ANNOIDIZE

CUSTOMER:

STOCK

P/N:  
LT(M)-2321-SEE NOTES

REV:  
A.1

THIS DOCUMENT CONTAINS INFORMATION WHICH IS PROPRIETARY TO DYNAMIC SEALING TECHNOLOGIES, INC. (DSTI) NO REPRODUCTION OR PUBLICATION OF THIS DOCUMENT OR IT'S CONTENTS, IN WHOLE OR PART, SHALL BE MADE WITHOUT THE WRITTEN CONSENT FROM DSTI.