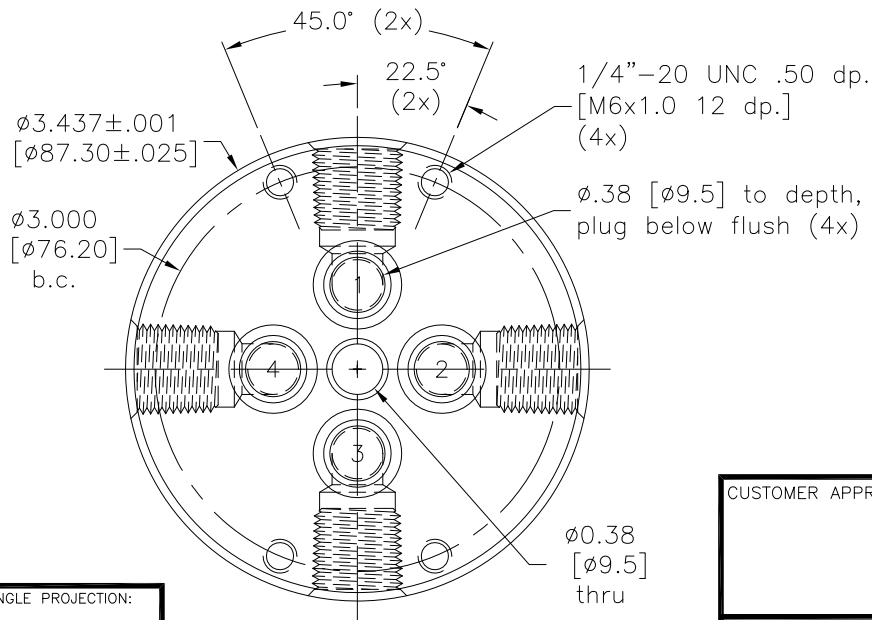
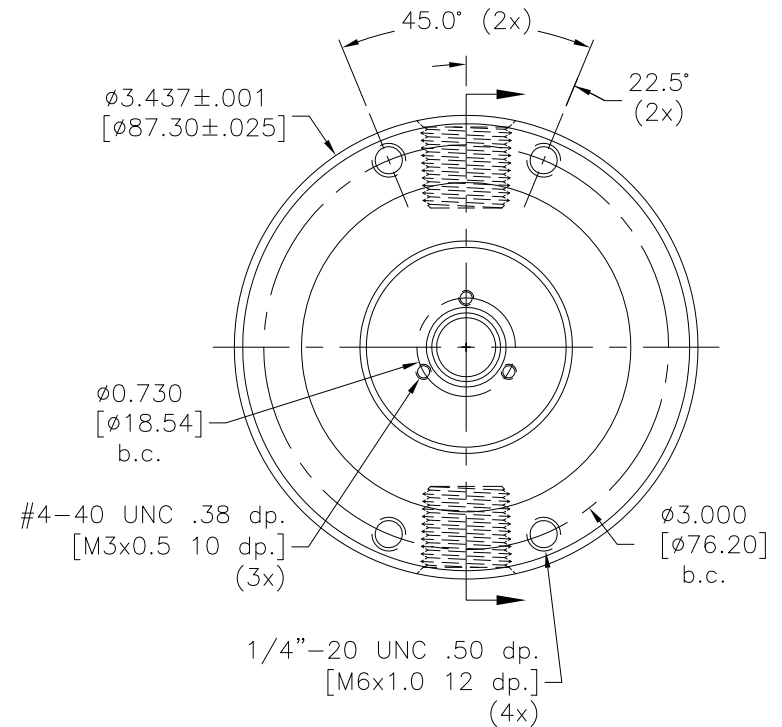
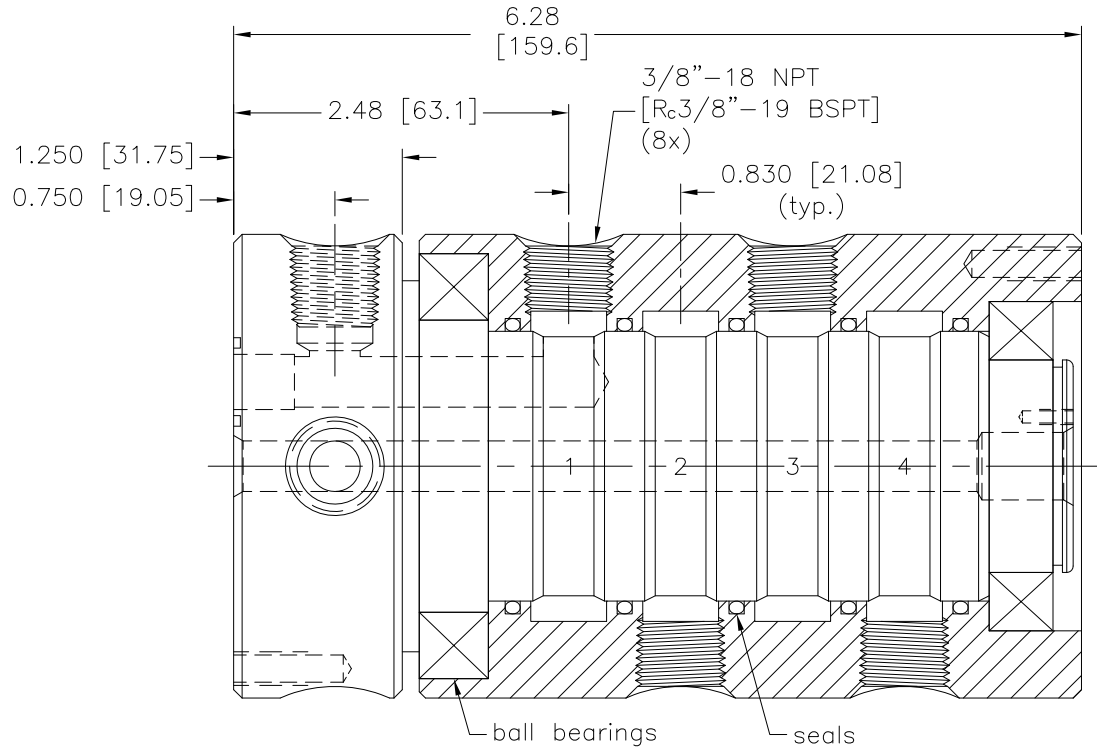


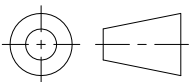
Rev:	Date	By	Chk	Description
A.1	6/15/11	PJE	TCB	Updated title block. Added metric part options.



Notes:

1. Union will be static air tested.
2. Media must be filtered, clean and free of abrasive content or reduced union life will result.
3. Alternate metric units and threads apply to the LTM configurations. See page 2 for details.

THIRD ANGLE PROJECTION:



Drawn	JSM	6/1/03
Checked	PJE	11/29/05
Checked	PJE	11/18/08

TOLERANCE EXCEPT AS NOTED  
 X.X ±.125  
 X.XX ±.015  
 X.XXX ±.005  
 ANGLES ± 0.5°

SHAFT MTL/PLTING:  
 6061 ALUM  
 E-NICKEL

HOUSING MTL/PLTING:  
 6061 ALUM  
 BLUE ANNOIDIZE

CUSTOMER APPROVAL/DATE:

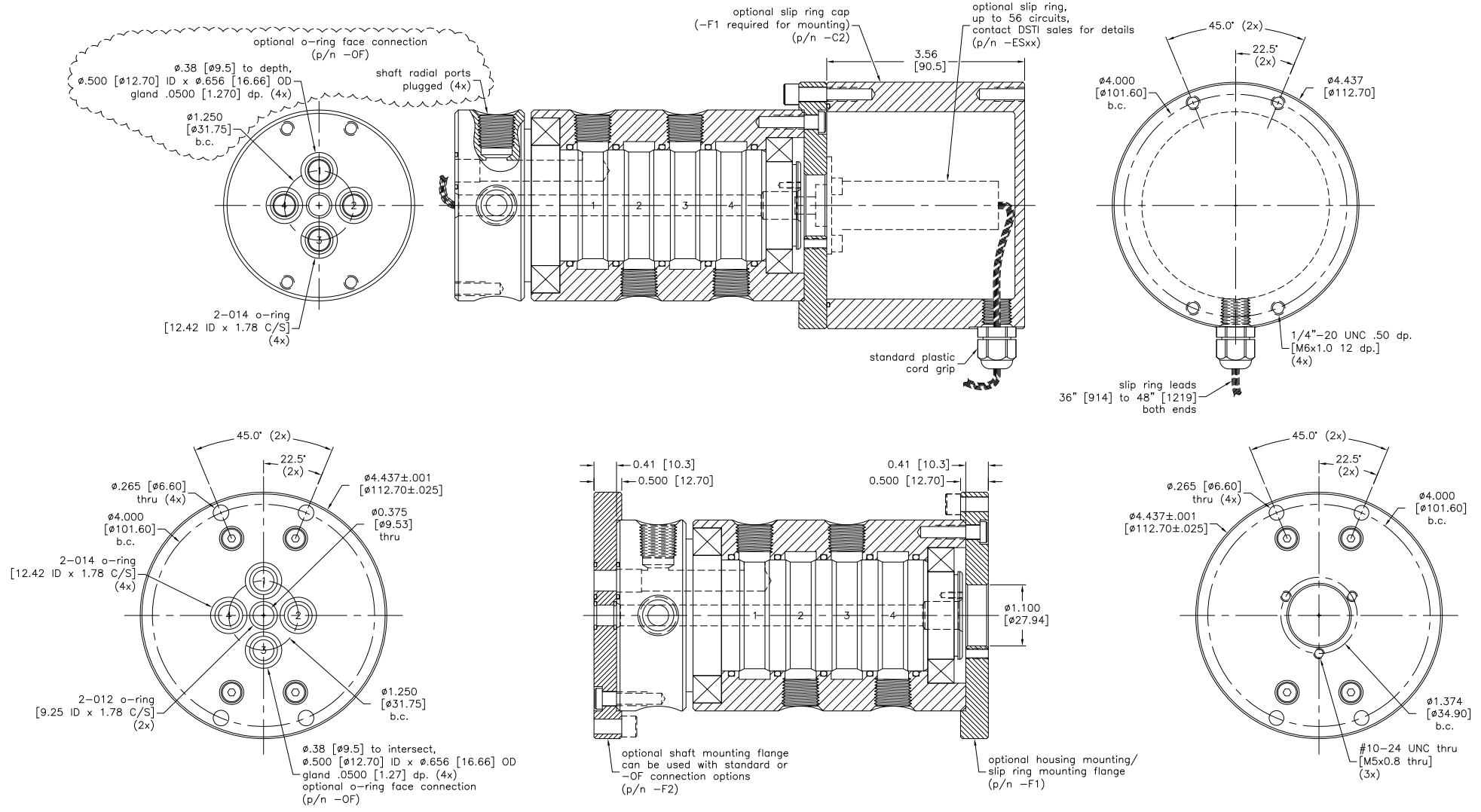
THIS DOCUMENT CONTAINS INFORMATION WHICH IS PROPRIETARY TO DYNAMIC SEALING TECHNOLOGIES, INC. (DSTI) NO REPRODUCTION OR PUBLICATION OF THIS DOCUMENT OR IT'S CONTENTS, IN WHOLE OR PART, SHALL BE MADE WITHOUT THE WRITTEN CONSENT FROM DSTI.



CUSTOMER:  
 STOCK

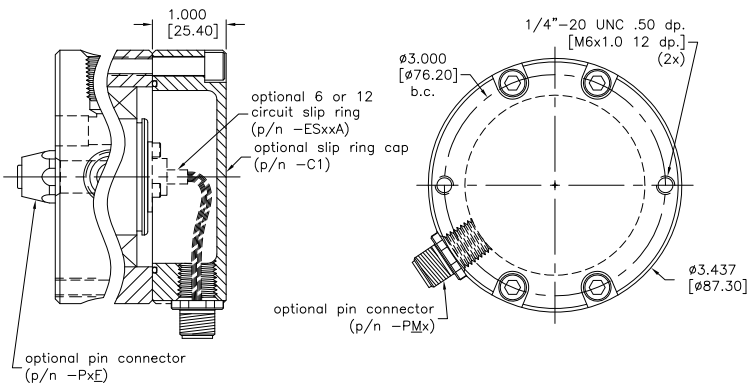
P/N:  
 LT(M)-2341

REV:  
 A.1



Notes:

1. Metric connections and threads available by using LTM in place of LT in the series designation prefix.



Drawn	PJE	11/29/05
Checked	PJE	11/18/08
Checked	PJE	6/15/11

TOLERANCE EXCEPT AS NOTED	
X.X	±.125
X.XX	±.015
X.XXX	±.005
ANGLES	± 0.5°

**DSTI**  
DYNAMIC SEALING TECHNOLOGIES, INC  
13829 JAY ST NW ~ ANDOVER, MN 55304  
866-700-DSTI (3784)

CUSTOMER APPROVAL/DATE:

THIS DOCUMENT CONTAINS INFORMATION WHICH IS PROPRIETARY TO DYNAMIC SEALING TECHNOLOGIES, INC. (DSTI) NO REPRODUCTION OR PUBLICATION OF THIS DOCUMENT OR IT'S CONTENTS, IN WHOLE OR PART, SHALL BE MADE WITHOUT THE WRITTEN CONSENT FROM DSTI.

FLANGES MTL/PLTING:	6061 ALUM BLUE ANNOIDIZE
CAPS MTL/PLTING:	6061 ALUM BLUE ANNOIDIZE

CUSTOMER:	STOCK
P/N:	LT(M)-2341-SEE NOTES
REV:	A.1